

G



**JAY R. SMITH MFG. CO.**  
 MEMBER OF MORRIS GROUP INTERNATIONAL  
 POST OFFICE BOX 3237  
 MONTGOMERY, ALABAMA 36109-0237 (USA)  
 TEL: 334-277-8520 FAX: 334-272-7396 www.jrsmith.com



MEMBER OF:



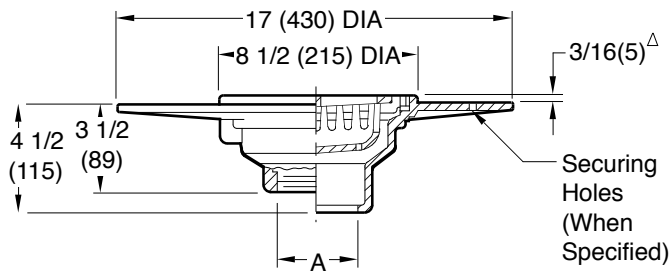
LOCATION

# FLOOR DRAINS

## WIDE FLANGE BODIES WITH "SAFE-SET" BUCKET

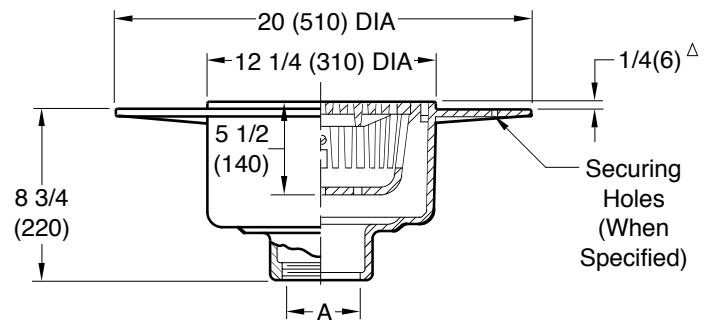
**FUNCTION:** Used in areas where waste water contains solids or debris that must be prevented from entering drainage system. Wide flange allows adhesion of waterproof traffic deck covering, insuring watertight integrity. "Safe-Set" designs insures bucket replacement after cleaning. DX2565 is used for general light duty areas and the DX2566 is provided with large top to accommodate anticipated high flows.

Free Area  
 9.25 SQ IN  
 (60) SQ CM



A (Pipe Size) = 02(50), 03(80) or 04(100)

Free Area  
 25.25 SQ IN  
 (163) SQ CM



A (Pipe Size) = 02(50), 03(80), 04(100), 05(125) or 06(150)

Fig. DX2565C . . . CAULK OUTLET  
 Fig. DX2565T . . . THREADED OUTLET

Fig. DX2566C . . . CAULK OUTLET  
 Fig. DX2566T . . . THREADED OUTLET

Δadd 3/16"(5) when bronze top is specified.

**REGULARLY FURNISHED:**  
 Duco Cast Iron 4"(100) Wide  
 Flange Body with Bucket and  
 Gate.

**VARIATIONS:**

- Membrane Clamp (Specify Fig. DX2565R or DX 2566R)
- NO-HUB Adaptor (Specify Fig. 2646Y)
- Securing Holes -SH
- Vandal Proof Gate -U
- Underdeck Clamp -UDC
- Quad Close Trap Seal (Specify Fig. 2692)

**OPTIONAL MATERIALS:**

- Galvanized Cast Iron -G
- Nickel Bronze Top -NB
- Polished Bronze Top -PB

**NOTE:** Dimensions shown in parentheses are in millimeters.

DRAWING NUMBER  
SDX2565SIZE  
ASCALE:  
NONEDATE:  
5-17-85APPROVED BY:  
TDCHECKED BY:  
TDDRAWN BY:  
PJFIGURE NUMBER  
DX2565, DX2566WE CAN ASSUME NO RESPONSIBILITY FOR USE OF SUPERSEDED OR VOID DATA  
DIMENSIONS ARE SUBJECT TO MANUFACTURERS TOLERANCE AND CHANGE WITHOUT NOTICE

REV.	DATE	DESCRIPTION	BY	CKD. BY	WEIGHT POUNDS	VOLUME CUBIC FEET	FIGURE NUMBER
G	7-17-15	Revised Variations	TBW	CL			<b>DX2565, DX2566</b>
F	1-31-13	Rev. Var. and Drawing	TBW	CL			
E	04/22/04	Added UDC to Variations	JJ	CL			
D	4-9-97	Added Millimeters	EMB	BS			



**WARNING:** Cancer and Reproductive Harm - www.P65Warnings.ca.gov