

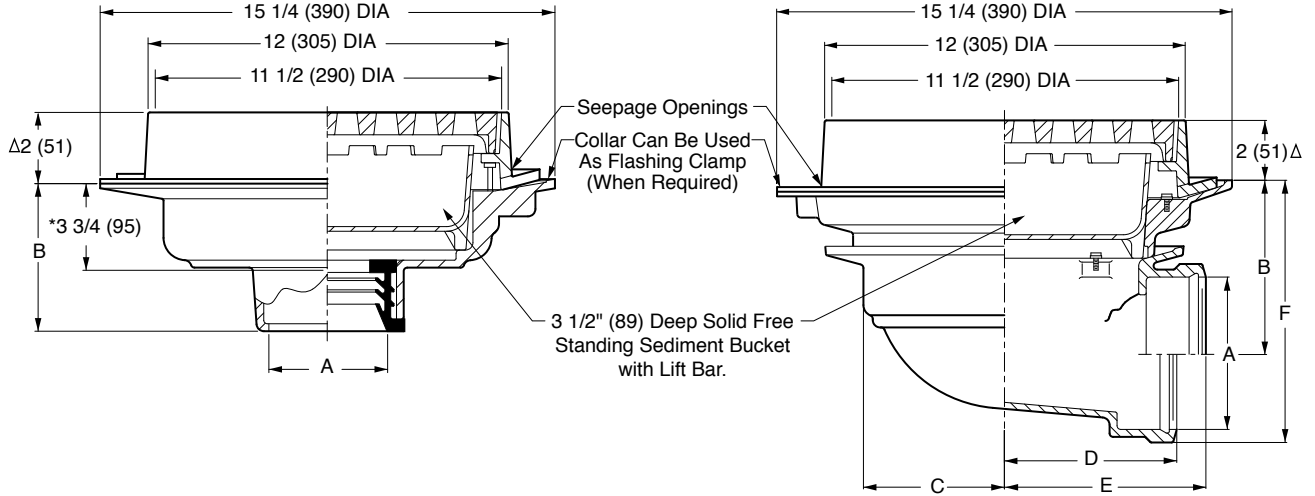
FLOOR DRAINS

WITH HEAVY DUTY TRACTOR GRATE

12" (305) ROUND TOP SOLID FREE STANDING SEDIMENT BUCKET

Load Rating: Heavy Duty having a Safe Live (Static) Load between 5,000 lbs. (2,250 kg) and 7,499 lbs (3,375 kg) per ASME A112.6.3 Floor Drain Standard. For the specific Safe Live Load rating of any grate, contact the Smith representative or factory direct.

Free Area
 29 SQ IN
 (187) SQ CM



- Fig. 2142C.....CAULK OUTLET
- Fig. 2142T.....THREADED OUTLET
- Fig. 2142Y.....NO-HUB OUTLET

- Fig. 2147C.....CAULK OUTLET
- Fig. 2147T.....THREADED OUTLET

A Size	B	
	Caulk, NO-HUB & Speedi-Set	Threaded
02(50),03(75)04(100) 05(125) & 06(150)	5 (125)	3 3/4 (95)

A SIZE	02(50)	03(75)	04(100)	05(125)	06(150)
B	6 7/8(175)	6 3/8(162)	5 7/8(149)	5(125)	4 1/2(115)
C	4 3/4(120)	4 3/4(120)	4 3/4(120)	6 1/4(160)	6 1/4(160)
D	6(150)	6(150)	6(150)	6 5/8(168)	6 7/8(175)
E	7 1/4(185)	7 1/2(190)	7 3/4(195)	7 3/4(195)	7 3/4(195)
F	8 5/8(219)	8 3/4(220)	8 3/4(220)	8 1/2(215)	8 1/2(215)

REGULARLY FURNISHED:

Ducto Cast Iron Body and Flashing Collar with Cast Iron Tractor Grate and Solid Free Standing Sediment Bucket.

Δ Add 1/8" (3) when bronze top is specified.
 *This dimension to internal stop of Speedi-Set gasket.

VARIATIONS:

- Flat Bottom Strainer -FBS
- L Speedi-Set Service Weight 02(50), 03(75) & 04"(100) sizes only. (Fig. 2142 only)
- LXH Speedi-Set Extra Heavy 02(50), 03(75) & 04"(100) sizes only. (Fig. 2142 only)
- NO-HUB Adaptor (Specify Fig. 2646Y) (Fig. 2140 & 2147 only)
- Seepage Holes in Bucket -FP (Frost Proof)
- Square Top -S
- Trap Primer Connection -P050 1/2" (13) & -P075 3/4" (19) (Fig. 2142 only)
- Vandal Proof Grate -U
- Heel Proof Grate -Q45
- Quad Close Trap Seal (Specify Fig. 2692) (Fig. 2142 Only)

OPTIONAL MATERIALS:

- Ductile Iron Grate -M
- Galvanized Cast Iron -G
- Nickel Bronze Top -NB
- Polished Bronze Top -PB

NOTE: Fig. 2147 in 02(50), 03(75), & 04"(100) sizes require a transition collar (as shown in above illustration) which fits between the body & collar. 05(12) & 06"(150) sizes do not require transition collar.

NOTE: Dimensions shown in parentheses are in millimeters.

DRAWING NUMBER
S2142, 2147

SIZE
A

SCALE:
NONE

DATE:
5-17-85

APPROVED BY:
TD

CHECKED BY:
TD

DRAWN BY:
BS

2142, 2147

WE CAN ASSUME NO RESPONSIBILITY FOR USE OF SUPERSEDED OR VOID DATE
DIMENSIONS ARE SUBJECT TO MANUFACTURERS TOLERANCE AND CHANGE WITHOUT NOTICE

REV.	DATE	DESCRIPTION	BY	CKD. BY	WEIGHT POUNDS	VOLUME CUBIC FEET	FIGURE NUMBER
							2142, 2147