

SMITH® JAY R. SMITH MFG. CO.®
 MEMBER OF MORRIS GROUP INTERNATIONAL
 POST OFFICE BOX 3237
 MONTGOMERY, ALABAMA 36109-0237 (USA)
 TEL: 334-277-8520 FAX: 334-272-7396 www.jrsmith.com



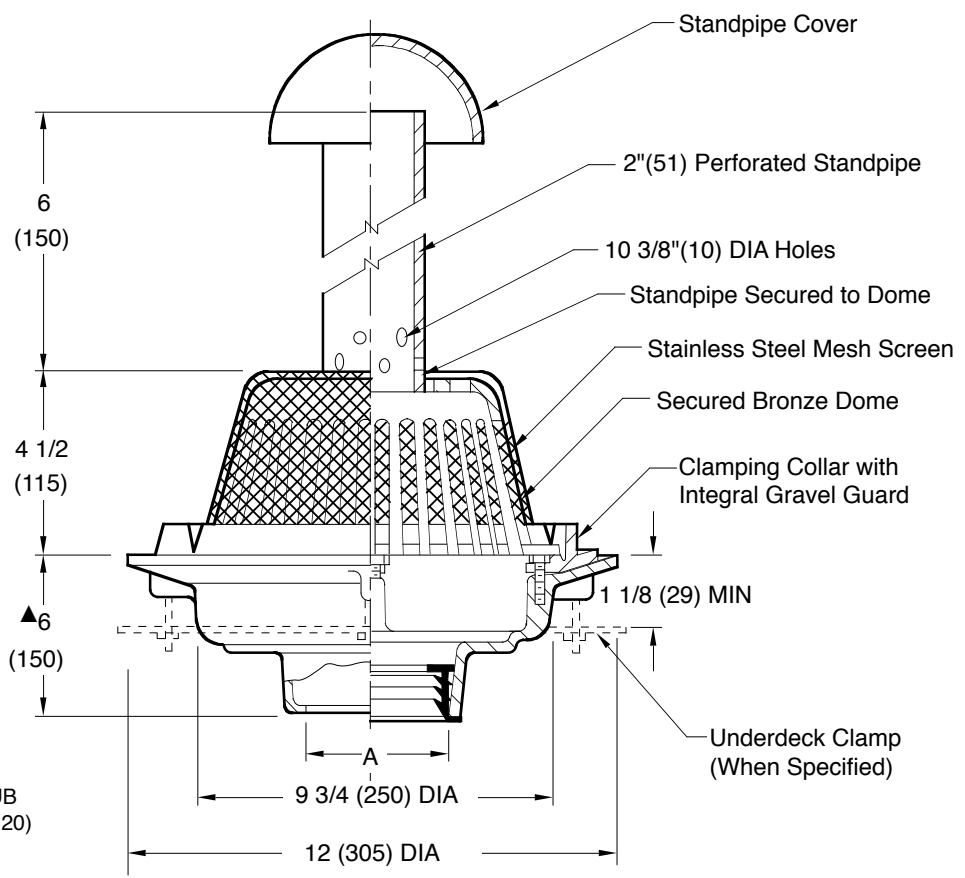
LOCATION

DRAWING NUMBER: S1910
 SIZE: A
 SCALE: NONE
 DATE: 08/11/05
 APPROVED BY: CL
 CHECKED BY: CL
 DRAWN BY: JJ
 FIGURE NUMBER: 1910

WE CAN ASSUME NO RESPONSIBILITY FOR USE OF SUPERSEDED OR VOID DATA
 DIMENSIONS ARE SUBJECT TO MANUFACTURERS TOLERANCE AND CHANGE WITHOUT NOTICE

ROOF DRAIN WITH STANDPIPE

LARGE AREA PLANTER TYPE



▲ Same for Caulk, NO-HUB and Speedi-set. 4 3/4 (120) for Threaded.

A (Pipe Size) = 02(50), 03(75), 04(100), 05(125) or 06(150)

- Fig. 1910C Caulk Outlet
- Fig. 1910Y No-Hub Outlet
- Fig. 1910T Threaded Outlet

REGULARLY FURNISHED:
 Duco Cast Iron Body with Combined Flashing Clamp and Gravel Stop, Secured Perforated Bronze Standpipe and Standpipe Cover, and Mesh Covered Bronze Dome.

- VARIATIONS:**
- Standpipe Longer (When Specified)
 - Sump Receiver -R
 - Underdeck Clamp -C
 - Vandal Proof Dome -U

NOTE: Dimensions shown in parentheses are in millimeters.

REV.	DATE	DESCRIPTION	BY	CKD. BY	WEIGHT POUNDS	VOLUME CUBIC FEET	FIGURE NUMBER
C B A	2-17-17 03/25/10 10/29/09	Revised Callout Removed SQ note Renamed as 1910	TBW JJ JJ	BW TK TK			1910