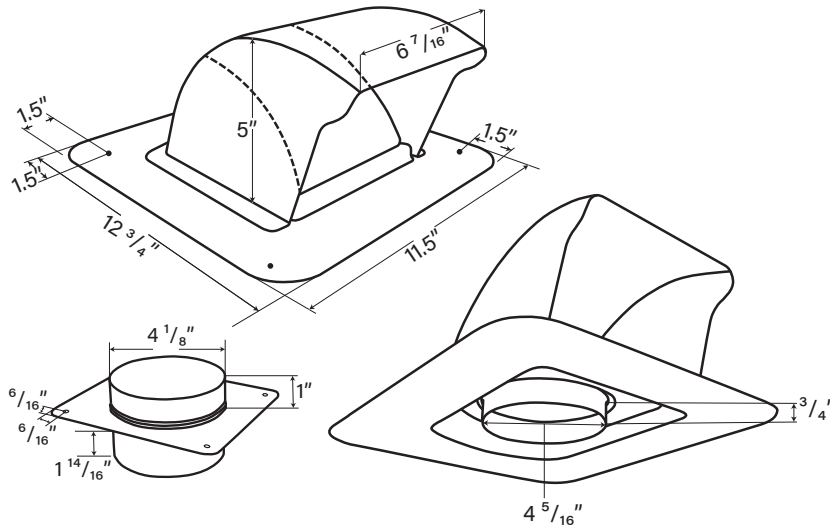


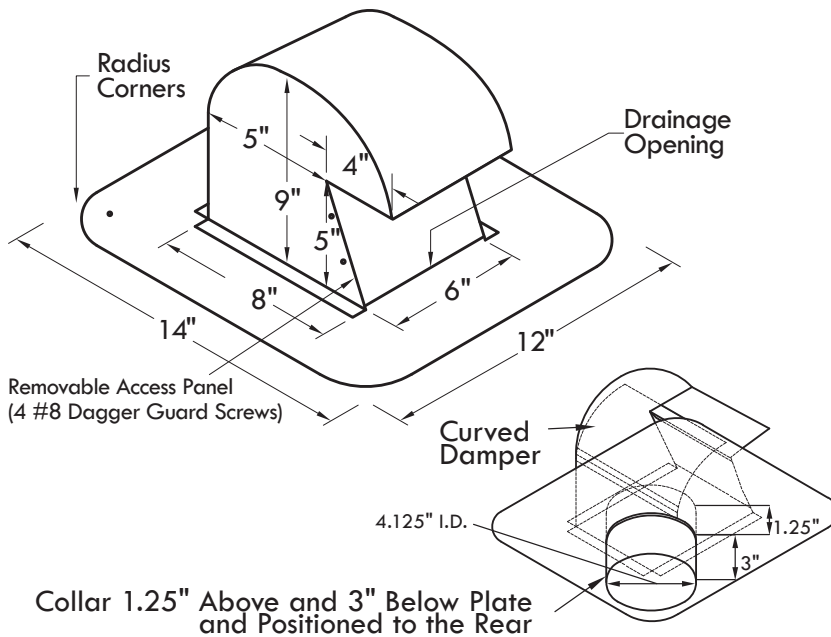
# DryerJack

## Technical Product Specifications

### DryerJack Model 477



### DryerJack Model 486



Collar 1.25" Above and 3" Below Plate and Positioned to the Rear

Model	Applications
DJK477	Low profile, efficient termination for safely venting the dryer through the roof.
DJK486	Extra clearance model for high profile tile or heavy snowfall zones.

Performance Data
<b>For Use:</b> <ul style="list-style-type: none"> <li>Non-restrictive dryer roof vent termination</li> <li>Complies with IMC 504.4 &amp; IRC 1502.3</li> </ul>
<b>Material:</b> <ul style="list-style-type: none"> <li>26 gauge Galvalume®</li> </ul>
<b>Weight Each:</b> DJK477 / 3 lbs. — DJK486 4 lbs.

General Information
<b>Benefits:</b> <ul style="list-style-type: none"> <li>Venting through the roof can shorten duct length</li> <li>Improved efficiency shortens cycles, saves energy</li> <li>Damper design deters bird and rodent entry</li> <li>Access features ease duct cleaning &amp; maintenance</li> </ul>
<b>Features:</b> <ul style="list-style-type: none"> <li>Rugged heavy gauge Galvalume</li> <li>Rounded corner nailing flange and nail holes</li> <li>Equally suitable for new and retrofit construction</li> </ul>

Manufactured By
<b>InOvate Technologies, Inc.</b> 250 S. Central Blvd. Suite 207 Jupiter, FL 33458 Telephone: 561-743-8696 Facsimile: 561-745-9723 <a href="http://www.DryerJack.com">www.DryerJack.com</a>

 **Made in the USA**