

G

SMITH® JAY R. SMITH MFG. CO.®
 MEMBER OF MORRIS GROUP INTERNATIONAL
 POST OFFICE BOX 3237
 MONTGOMERY, ALABAMA 36109-0237 (USA)
 TEL: 334-277-8520 FAX: 334-272-7396 www.jrsmith.com



LOCATION

LABOR SAVER® ELECTRIC WATER COOLER SUPPORTS

FLOOR MOUNTED TYPE

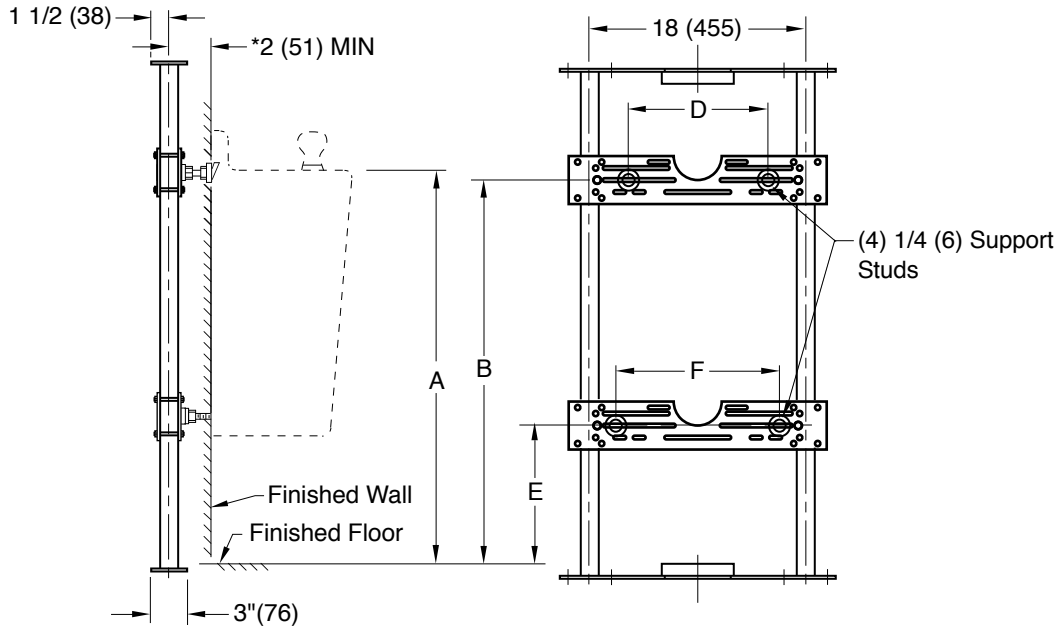
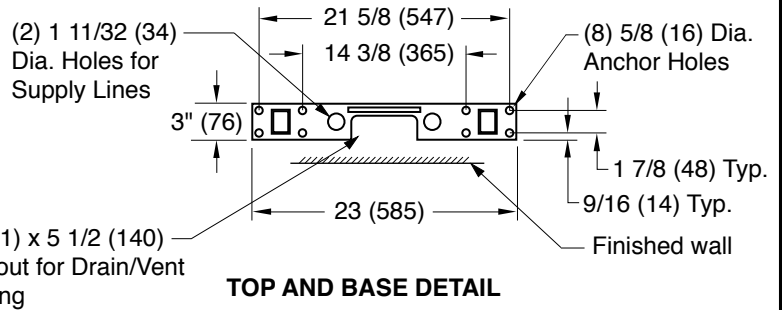


Fig. 0831... FOR WALL MOUNTED ELECTRIC WATER COOLERS

NOTE: The rough-in dimensions listed on this drawing are based on current information available to Jay R. Smith by the fixture manufacturers. We recommend that you verify these dimensions with the fixture manufacturer. We will not accept responsibility for rough-in dimension changes by the fixture manufacturer.

NOTE: *This dimension can be increased when fixture support is to be installed behind the wall. (Specify when required and wall thickness).

NOTE: Dimensions shown in parentheses are in millimeters.



TOP AND BASE DETAIL

ROUGH-IN TABLE

| FIXTURE MFG. | NAME | NUMBER | SIZE | A | B | D | E | F |
|--------------|------|--------|------|---|---|---|---|---|
| | | | | | | | | |

DRAWING NUMBER
S0831

SIZE
A

SCALE:
NONE

DATE:
04/11/01

APPROVED BY:
AM

CHECKED BY:
CR

DRAWN BY:
JJ

0831

WE CAN ASSUME NO RESPONSIBILITY FOR USE OF SUPERSEDED OR VOID DATA

DIMENSIONS ARE SUBJECT TO MANUFACTURERS TOLERANCE AND CHANGE WITHOUT NOTICE

| | | | | |
|-------------|---------------------------------|--|----------------|----------------|
| G F E | 01/20/11 9-27-10 11/08/02 | Updated Logo Added ® to LABOR SAVER & logo Changed per George Flegel | JJ RN JJ | TW CL AM |
| REV. | DATE | DESCRIPTION | BY | CKD. BY |

| | | |
|------------------|----------------------|------------------------------|
| WEIGHT POUNDS | VOLUME CUBIC FEET | FIGURE NUMBER 0831 |
|------------------|----------------------|------------------------------|