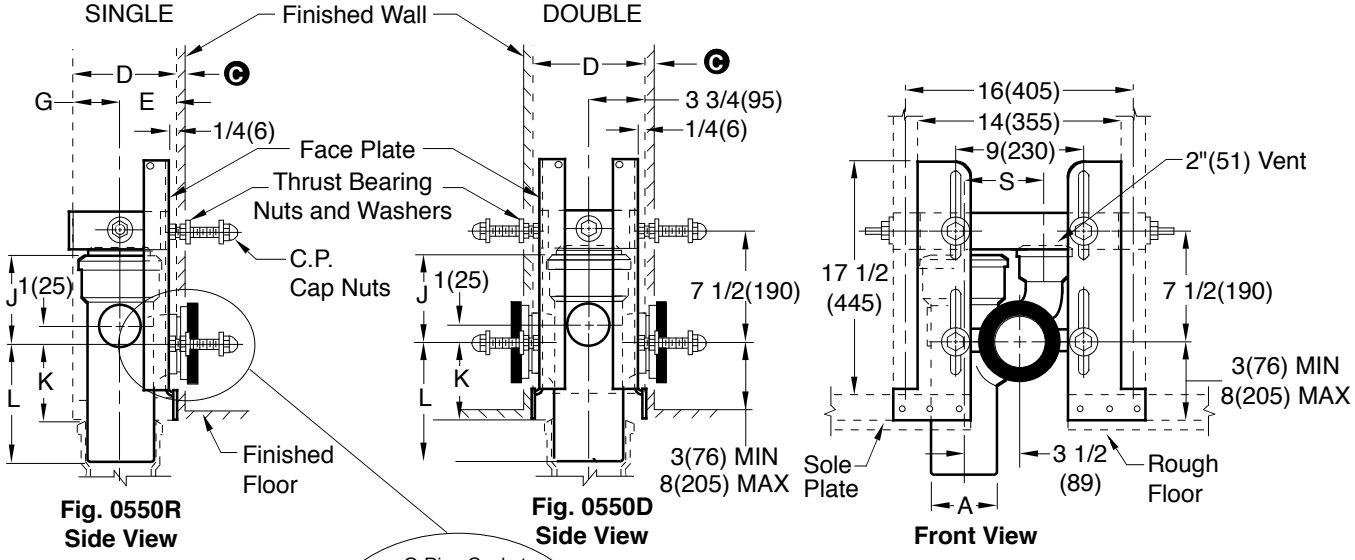


# COMPACT FIXTURE SUPPORTS

## FOR SIPHON JET WATER CLOSETS WITH VERTICAL OFFSET FITTINGS

### STUD-MOUNT FRAME FOR HUB & SPIGOT SYSTEMS



- Fig. 0550L3 ..... 3"(75) CAULK Left Hand
- Fig. 0550L4 ..... 4"(100) CAULK Left Hand
- Fig. 0550R3 ..... 3"(75) CAULK Right Hand
- Fig. 0550R4 ..... 4"(100) CAULK Right Hand
- Fig. 0550D3 ..... 3"(75) CAULK Double
- Fig. 0550D4 ..... 4"(100) CAULK Double

- NOTES:**
- Coupling should extend 5/16"(8) beyond finished wall.
  - Longer closet studs and couplings available when required.
  - ⊕ 1"(25) MIN to 1 1/4"(32) MAX regularly furnished. Other dimensions available upon request.
  - Service weight regularly furnished.

A SIZE	D STUD	E	G	J	K	L	S
3 (75)	2X6	3 3/4 (95)	1 3/4 (44)	6 (150)	5 1/4 (135)	8 (205)	5 1/4 (135)
4 (100)	2X8	3 3/4 (95)	3 3/4 (95)	6 (150)	5 (125)	8 (205)	5 1/4 (135)

**INSTALLATION INSTRUCTIONS**

- The center of the stack should be located offset 3 1/2"(89) from the center between two vertical studs, placed on 16"(405) centers and located from the face of the studs by the "E" dimension shown on table. Locate 0550D in the center of the sole plate.
- Cut out hole in sole plate and floor for stack.
- To determine the height of the stack in relation to the finished floor, subtract the closet outlet c/L dimension from the "K" dimension.
- The fitting should now be caulked into the stack.
- The face plates are assembled to the reinforcing strap and to the arms of the fitting by means of the fixture studs and then nailed to the sole plate. The two vertical studs are set into place, then drilled for permanently anchoring the reinforcing strap with the stud bolts, nuts and washers.
- Thread locknut on male thread of adjustable coupling approximately 1"(25) and push "O"-Ring against locknut.
- Apply No. 90 Smith Seal to male threads on coupling. Install coupling and adjust it to extend 5/16"(8) beyond finished wall. Thread locknut snugly.
- Assemble the bearing nuts and washers to the fixture supporting studs. The fixture studs should extend 2 1/4"(57) beyond finished wall.
- Adjust bearing nuts so that washers extend 1/16"(2) beyond finished wall.
- After wall is erected, remove any plaster grout touching the fixture studs, bearing nuts washers and coupling.
- Place gasket in closet recess and set closet on studs protruding from wall making sure that closet outlet is centered on coupling.
- Place fiber washers on studs. Apply the two bottom and top left cap nuts, tighten securely. Apply the top right can nut hand tight and snug up 1/4 turn with wrench.

**NOTE:** Dimensions shown in parentheses are in millimeters.

DRAWING NUMBER S0550  
 SIZE A  
 SCALE: NONE  
 DATE: 1-17-86  
 APPROVED BY: BS  
 CHECKED BY: JD  
 DRAWN BY: CM  
 FIGURE NUMBER 0550

J E D C	11-19-13 8-26-05 8-7-96 6-16-94	Revised Dimensions, Notes Revised Note Added Millimeters Revised	TBW TBW EMB EMB	CL CL BS	WEIGHT POUNDS	VOLUME CUBIC FEET	FIGURE NUMBER <b>0550</b>
REV.	DATE	DESCRIPTION	BY	CKD. BY			