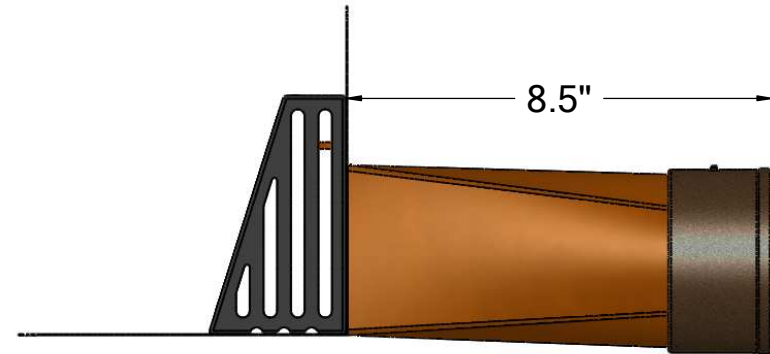
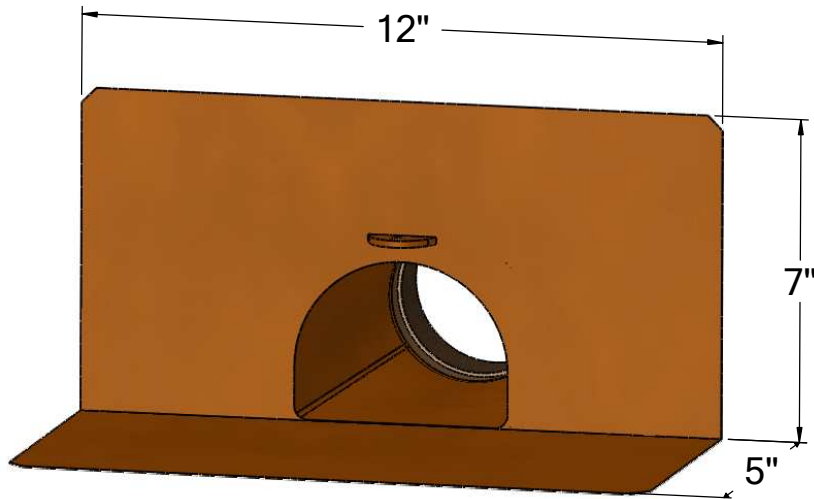
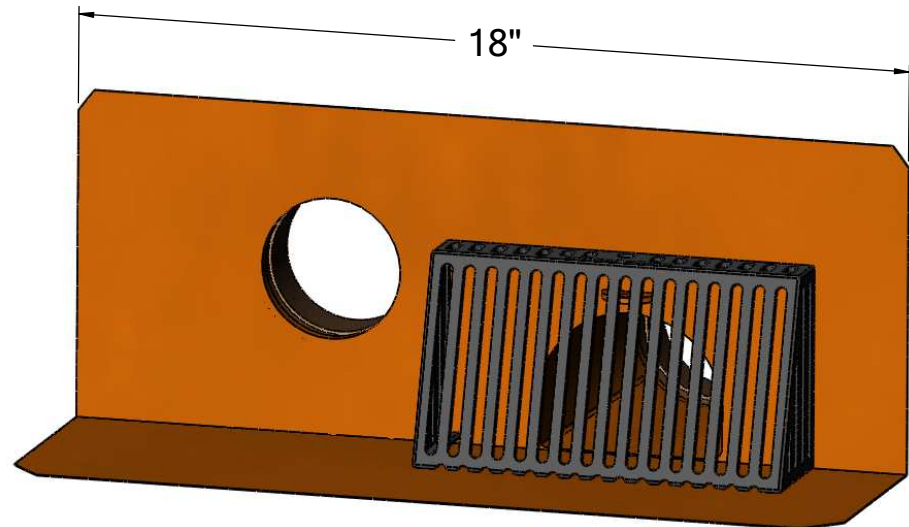


THROUGH-WALL PARAPET DRAIN

AVAILABLE IN 2", 3" AND 4" OUTLET. INCLUDES ALUMINUM DOME STRAINER.



16 oz copper flashing soldered to spout,
attached to 2", 3", or 4" bronze no-hub fitting



THUNDERBIRD PRODUCTS
1148 North Marshall Ave.
El Cajon, CA 92020
Tel: (800) 658-2473
Fax: (619) 448-9072

drain and overflow combination also available