

FRANK PATTERN™ ROOF DRAINS WITH OVERFLOW

SPECIFICATION

Tech Specialties Cast Iron Combination Roof Drain with overflow drain and flashing area in one unit. For use on flat built-up roof systems, where water can collect to facilitate water drainage. Drain unit consists of cast iron main body, flashing rings, leaf guard and strainer domes. Flashing ring secured to main body with stainless steel fasteners. No Hub outlets.

DESIGN FEATURES

- For use on flat roofs as a primary drain and an overflow connection to prevent overflow conditions
- Cast iron membrane clamps to both roof and overflow drains
- Removable twist-off strainer domes
- Leaf guard ring flashing
- Stainless steel fasteners

COMPLIANCES/LISTINGS

- IAPMO 4192; ASME A112.6.4-2003 (R08)/UPC/IPC
- Compliant to International Plumbing Code (IPC®)

INSTALLATION

1. Remove strainer dome grates and flashing rings from body casting. Leave studs in place.
2. Cut circular holes in roof substrate and position drain body casting in place.
3. Fasten with appropriate screws (6X).
4. Ensure drain top flange is clean and lay roofing ply sheets down into sump and over flange.
5. Poke studs through roofing ply.
6. Fasten flashing ring in place and attach dome grate.



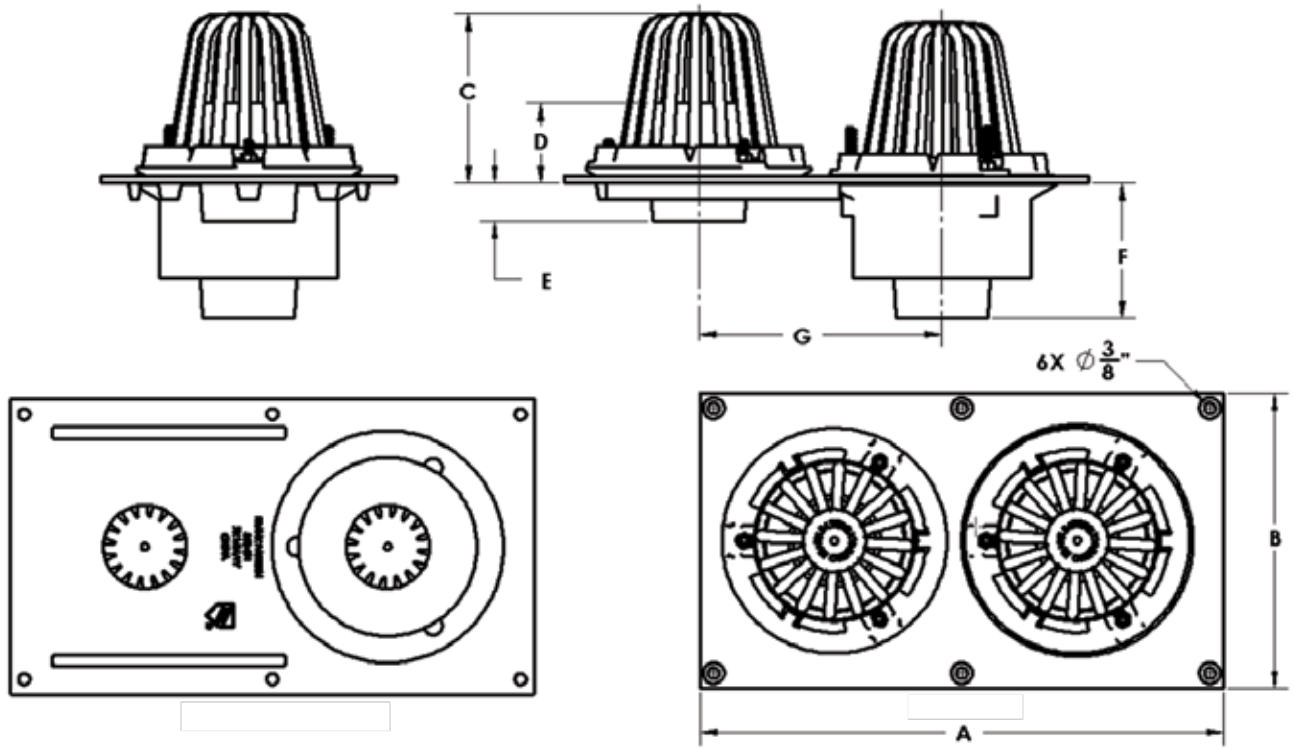
Cast Iron Combination Roof Drain

PART NUMBER	DESCRIPTION	MSTR CTN QTY
ROOF DRAIN OVERFLOW COMBINATION SHALLOW		
T-0082	2" Cast Iron Combo	1
T-0083	3" Cast Iron Combo	1
T-0084	4" Cast Iron Combo	1
ROOF DRAIN OVERFLOW COMBINATION DEEP		
850-2N	2" x 2" No-Hub	1
850-3N	3" x 3" No-Hub	1
850-4N	4" x 4" No-Hub	1
REPLACEMENT PARTS		
850-003	Strainer Dome Grate	2
850-006	Flashing Ring	2

Product Submittal	
Job Name:	Date:
Part Number:	Quantity:
Architect:	
Contractor:	

Content matter is subject to change at any time. It is the user's responsibility to ensure the most updated revisions are obtained. 4/2021

DIMENSIONS



Bottom View

Top View

PART NUMBER	DRAIN CONNECTION	DRAIN PIPE SIZE	DIMENSIONS (inches)				
			A	B	C	D	E
T-0082	No Hub	2"	18 7/8	10 1/2	6 1/16	2 7/8	8 11/16
T-0083	No Hub	3"	18 7/8	10 1/2	6 1/16	2 7/8	8 11/16
T-0084	No Hub	4"	18 7/8	10 1/2	6 1/16	2 7/8	8 11/16
850-2N	No Hub	2"	18 7/8	10 5/8	6 1/8	4 7/8	8 3/4
850-3N	No Hub	3"	18 7/8	10 5/8	6 1/8	4 7/8	8 3/4
850-4N	No Hub	4"	18 7/8	10 5/8	6 1/8	4 7/8	8 3/4

Content matter is subject to change at any time. It is the user's responsibility to ensure the most updated revisions are obtained. 4/2021