

# O-Ring RetroDrain

## PRODUCT DATA SPECIFICATIONS

### PRODUCT DESCRIPTION

Designed as a retrofit drain option for installation into existing leader pipes with a smaller or larger I.D. than 3-in. through 6-in. Features an aluminum body with an extra large flange for positive attachment of the roof flashing membrane and two rubber O rings to make a watertight seal. It's available with either a U-Flow cast aluminum strainer dome and aluminum clamping ring, cast aluminum SuperDome or a RAC aluminum strainer dome. The most common sizes are the 2-in. and 8-in., but other sizes available on a custom made basis.

### FEATURES & BENEFITS

- Simple and easy to install from rooftop in 15 to 30 minutes.
- The 2-in. and 8-in. O-Ring RetroDrains have a one-piece, seamless body eliminates the possibility of leaks due to poor welds at the stem and flange connection.
- Extra large flange for positive attachment of the roof flashing membrane.
- Drain stem accommodates most existing field conditions or can be field cut to accommodate quick turn elbows.
- 2 rubber O rings make a dependable watertight seal.
- Available with either a U-Flow or SuperDome cast aluminum strainer dome and clamping ring, or a RAC aluminum strainer dome and low profile metal clamping ring. These all are designed to minimize damming and improve drainage.
- Saves time and money by allowing easy installation from the rooftop without disturbing occupants.



### PHYSICAL DATA

DRAIN BODY		SEAL	
2": 16 gauge (.064") spun aluminum		2 rubber O rings	
8": 11 gauge (.125") spun aluminum			
FLANGE		STRAINER DOME	
17½" diameter		Cast aluminum; SuperDome cast aluminum; RAC aluminum	
STEM		CLAMP RING	
12" long		Cast aluminum; SuperDome cast aluminum; RAC aluminum	

### ORDERING INFORMATION

CAT. NO.	SIZE	DOMES	PKG	WEIGHT
ALDCR2A	2"	Aluminum	Each	27 lbs.
ALDCR8A	8"	Aluminum	Each	27 lbs.
SA2	2"	SuperDome	Each	27 lbs.
ALDCR8RAC	8"	SuperDome	Each	27 lbs.

RP10130H



## ROOFING PRODUCTS

153 BOWLES ROAD, AGAWAM, MA 01001  
800-633-3800 WWW.OLYFAST.COM INFO@OLYFAST.COM

OlyFlow® is a trademark of OMG, Inc. Copyright © 2010 OMG, Inc. All rights reserved.

# O-Ring RetroDrain

## INSTALLATION PROCEDURE

### FOR USE WITH

All types of roof covers.

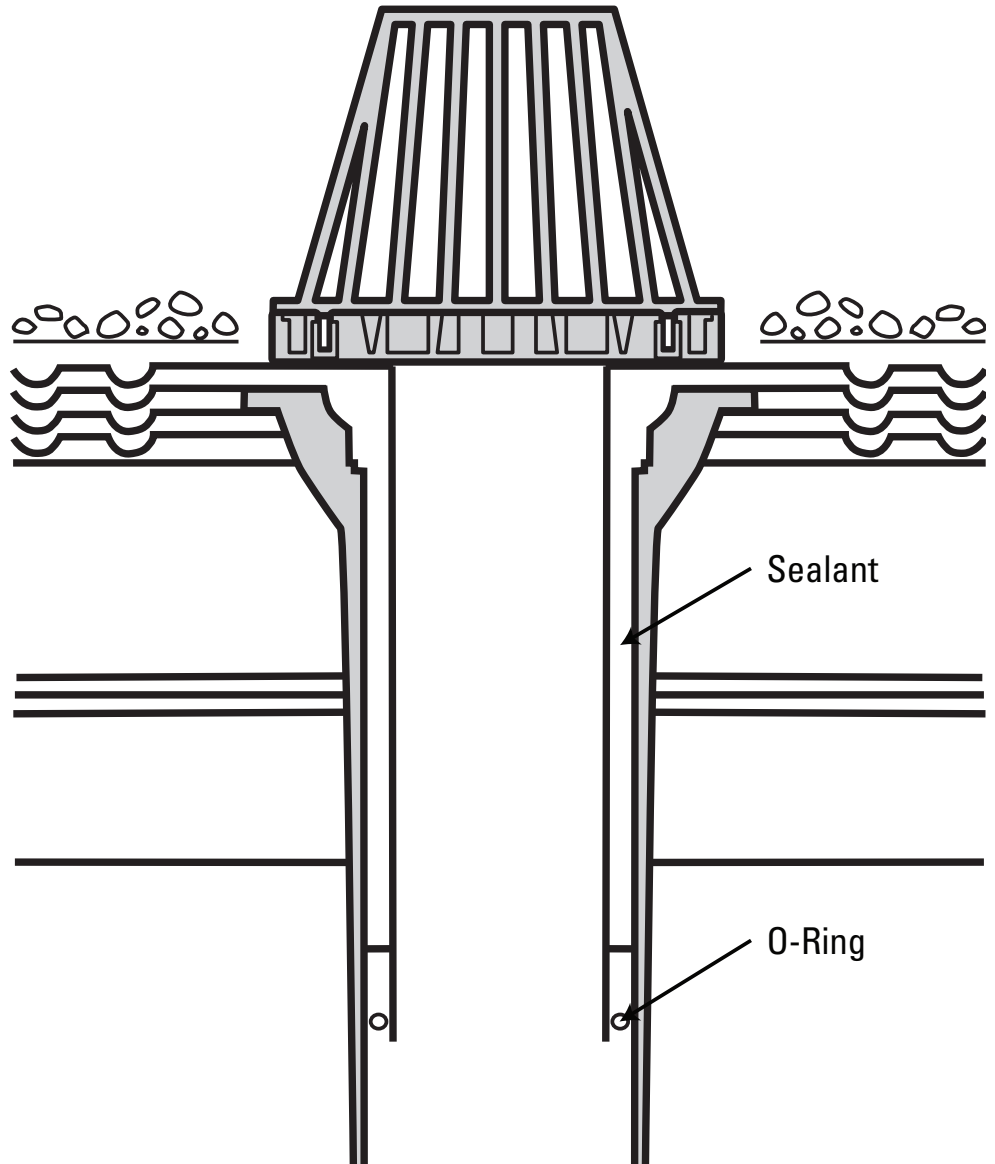
### APPLICATION AND INSTRUCTIONS

A retrofit drain option where standard sizes are not available. Prior to installation, the water leader should be cleaned of all asphalt and debris. During installation, the O-rings should be placed toward the bottom of the drain stem. Sealant or caulking should be applied all around the O-rings in large amounts to ensure watertight installations.

### AVAILABLE SIZES

The O-Ring RetroDrain is a custom made product and can be made to fit most drain pipe diameter applications ranging from 1" to 12". Most sizes are available in RAC and OlyFlow designed drains.

**For technical assistance contact  
OMG at 800-633-3800.**



ROOFING PRODUCTS

153 BOWLES ROAD, AGAWAM, MA 01001

800-633-3800 WWW.OLYFAST.COM INFO@OLYFAST.COM

OlyFlow® is a trademark of OMG, Inc. Copyright © 2010 OMG, Inc. All rights reserved.