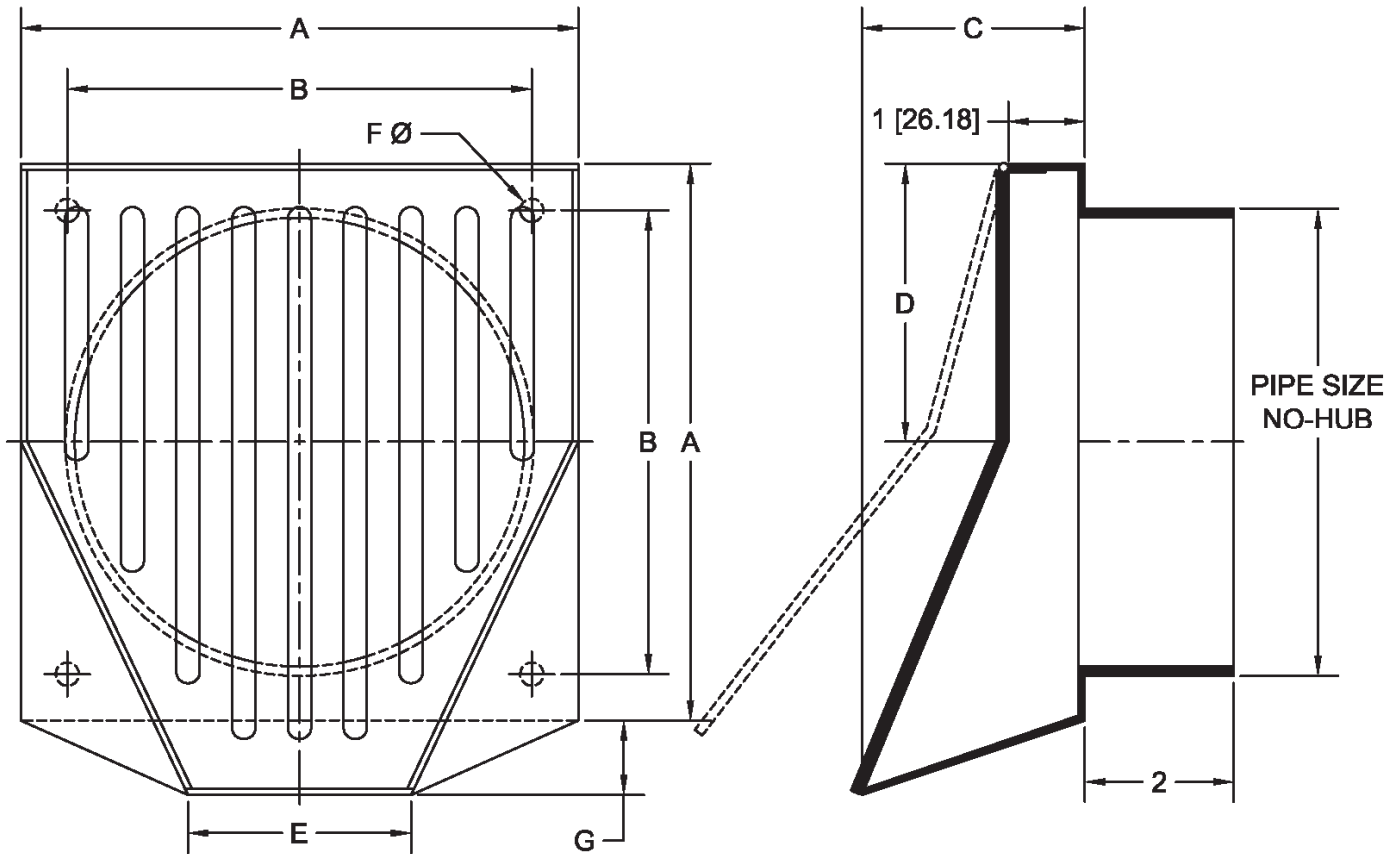


**3942 Downspout Nozzle / Cover**

Project	Engineer	Mechanical
---------	----------	------------



**Regularly Furnished:** Fabricated downspout nozzle with hinged, slotted grate which serves as a bird/rodent screen.

Outlet Size	Grate Free Area (Sq. In.)	(-85) Stainless Steel
3"	8.0	
4"	8.0	
5"	13.1	
6"	21.6	
8"	29.9	
10"	50.6	
12"	64.3	

Pipe Size	Dimensions (Inches)					
	A	B	C	D	F	G
3"	4 1/2	3 1/4	3	2 1/4	5/16	3/4
4"	5 1/2	4 1/4	3	2 3/4	5/16	1
5"	6 1/2	5 1/4	3	3 1/4	5/16	1
6"	7 1/2	6 1/4	3	3 3/4	5/16	1
8"	9 5/8	7 5/8	4	4 7/8	5/16	1 1/8
10"	13	10 1/4	5	6 3/8	7/16	1 7/8
12"	14	11 1/4	6	6 7/8	7/16	1 7/8

Suffix Options		
Suffix	Description	•
-21	Less Grate	

Outlet Variations		
Type	Designation	•
No-Hub	3NH,4NH,6NH,8NH,10NH,12NH	
Threaded	2IPS,3IPS,4IPS,5IPS,6IPS,8IPS	