

SPECIFICATION:

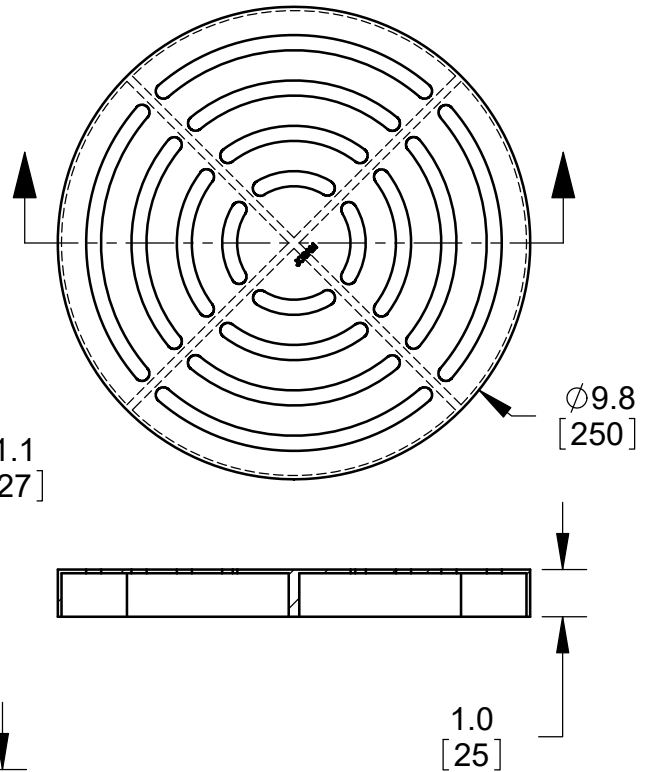
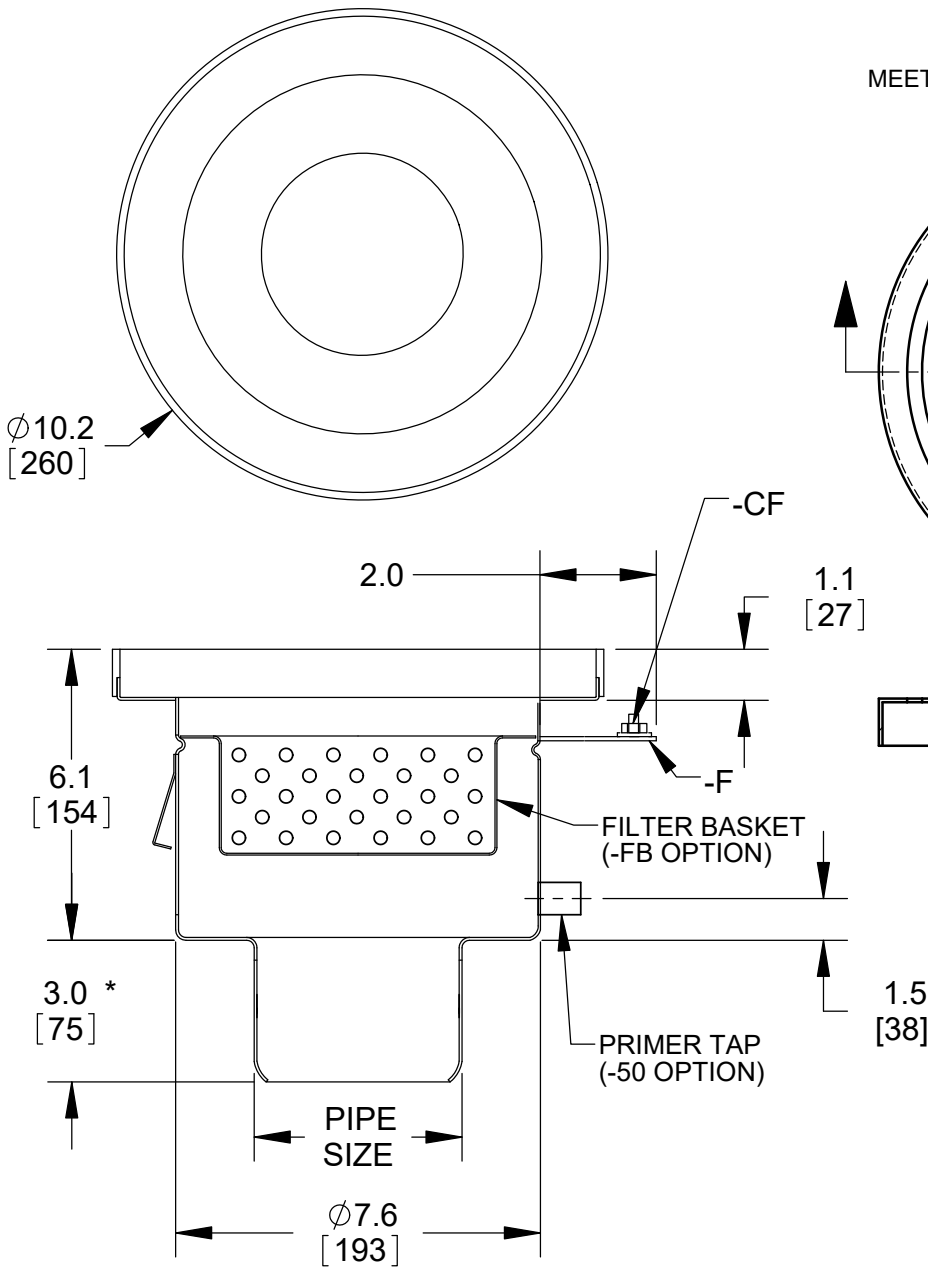
JOSAM SERIES 42530 FABRICATED STAINLESS STEEL (TYPE 304), 10" ROUND TOP, 6" DEEP, WITH NO-HUB BOTTOM OUTLET, ANCHOR TABS AND PERFORATED SS GRATE (STANDARD).

SS DRAIN
10" ROUND TOP, 6" DEEP

SERIES **42530**

STANDARD GRATE

FREE AREA = 19.9 IN²
MEETS ADA AND HEEL-PROOF REQMNTS.



MODEL	PIPE SIZE
42532	2"
42533	3"
42534	4"
42536	6"

*3.75 [95] FOR 6" OUTLET

OPTIONS:

-PFO	OUTLET FOR SS PUSH-FIT PIPE
-FB	FILTER BASKET
-SB	SEDIMENT BUCKET
-VP	SECURED GRATE
-50	1/2" PRIMER TAP
-BW	BUTT-WELD OUTLET (SPEC. 10, 40, 80)
-T	THREADED OUTLET
-316	TYPE 316L MATERIAL
-F	FLANGE
-CF	CLAMP AND FLANGE

-NG	NO GRATE
-HG	PERF. HALF GRATE
-3Q	PERF. 3/4 GRATE
-MG	MESH, ANTI-SLIP GRATE
-LG	LADDER GRATE
-SG	PERIMETER SLOT GRATE
-SK	SEALED COVER W/ EYEBOLT KEY
-SV	SEALED COVER W/ VACUUM HNDL
-WH	WEEPHOLES

DATE OF LAST CHANGE: 06/06/17

DIMENSIONS ARE SUBJECT TO MANUFACTURERS TOLERANCES AND CHANGE WITHOUT NOTICE. WE CAN ASSUME NO RESPONSIBILITY FOR USE OF SUPERSEDED OR VOID DATA.

JOSAM COMPANY
MICHIGAN CITY, INDIANA

NOTES