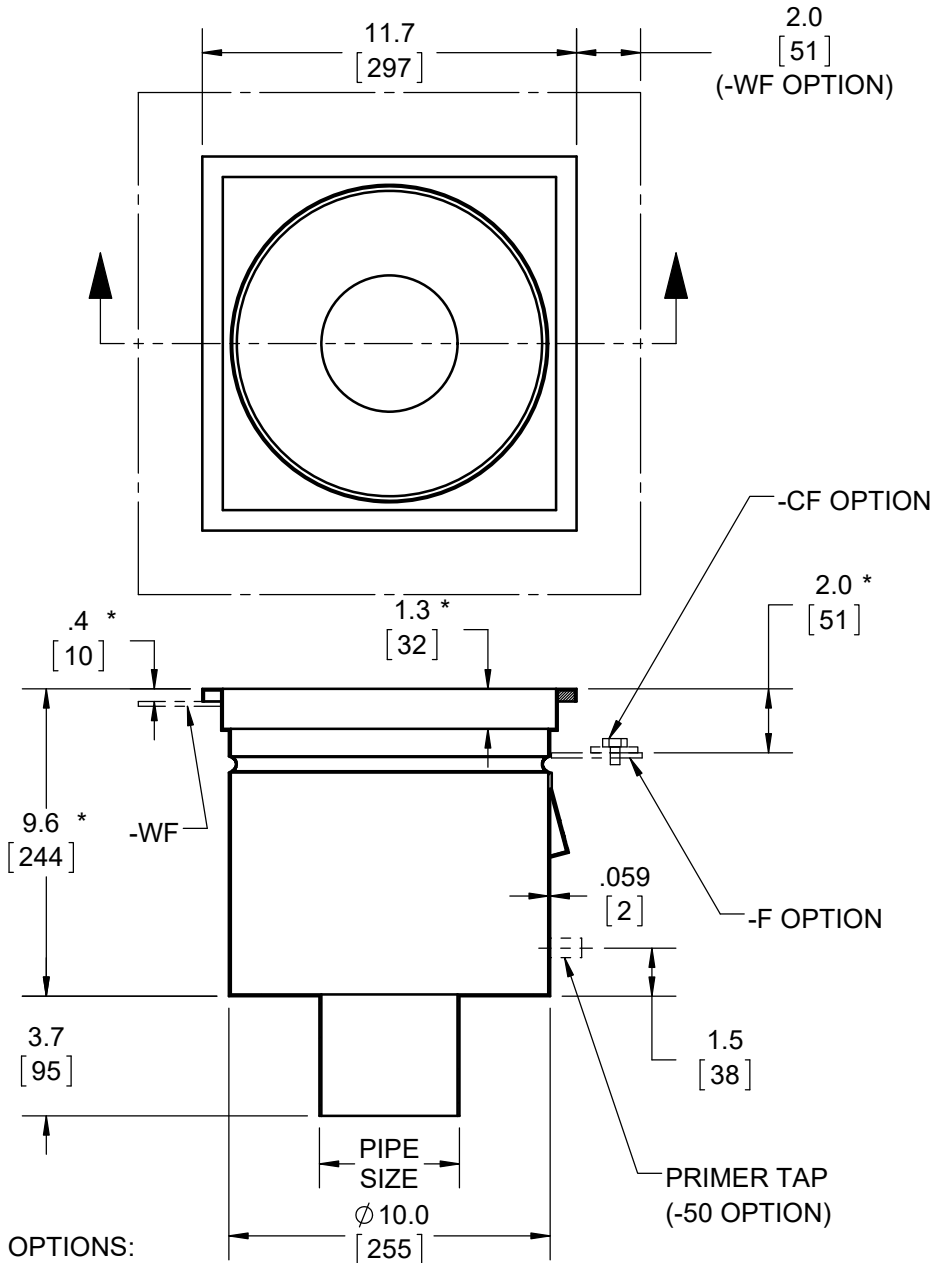


SPECIFICATION:

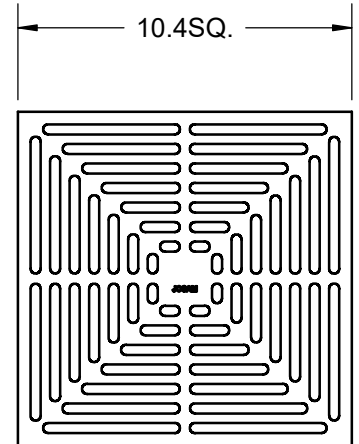
JOSAM SERIES 41650 FABRICATED STAINLESS STEEL (TYPE 304, 14 GA), 12" SQUARE TOP, 10" DEEP, WITH NO-HUB BOTTOM OUTLET, ANCHOR TABS AND PERFORATED SS GRATE (STANDARD).

SS DRAIN
12" SQUARE TOP, 10" DEEP

SERIES **41650**



STANDARD GRATE
FREE AREA = 42.3 IN²
MEETS ADA AND HEEL-PROOF REQS.



MODEL	PIPE SIZE
41653	3"
41654	4"
41656	6"

OPTIONS:

-CWD	CAN WASH DRAIN
-NB	NICKEL BRONZE RIM & GRATE (*ADD 0.5")
-FB	FILTER BASKET
-SB	SEDIMENT BUCKET
-VP	SECURED GRATE
-DB	DOME BOTTOM STRAINER
-SO	SIDE OUTLET
-50	1/2" PRIMER TAP
-WH	WEEPHOLES (1 PER SIDE, ϕ 1/8")
-T	THREADED OUTLET
-PFO	PUSH-FIT SIZE OUTLET

-WF	WIDE FLANGE
-F	FLANGE, ANCHOR
-CF	CLAMP AND FLANGE
-BW	BUTT-WELD OUTLET (SPEC. 10, 40, 80)
-NG	NO GRATE
-HG	PERF. HALF GRATE
-3Q	PERF. 3/4 GRATE
-MG	MESH, ANTI-SLIP GRATE
-LG	LADDER GRATE
-SG	PERIMETER SLOT GRATE
-316	TYPE 316L MATERIAL

DATE OF LAST CHANGE: 10/04/17

DIMENSIONS ARE SUBJECT TO MANUFACTURERS TOLERANCES AND CHANGE WITHOUT NOTICE. WE CAN ASSUME NO RESPONSIBILITY FOR USE OF SUPERSEDED OR VOID DATA.

JOSAM COMPANY
MICHIGAN CITY, INDIANA

NOTES