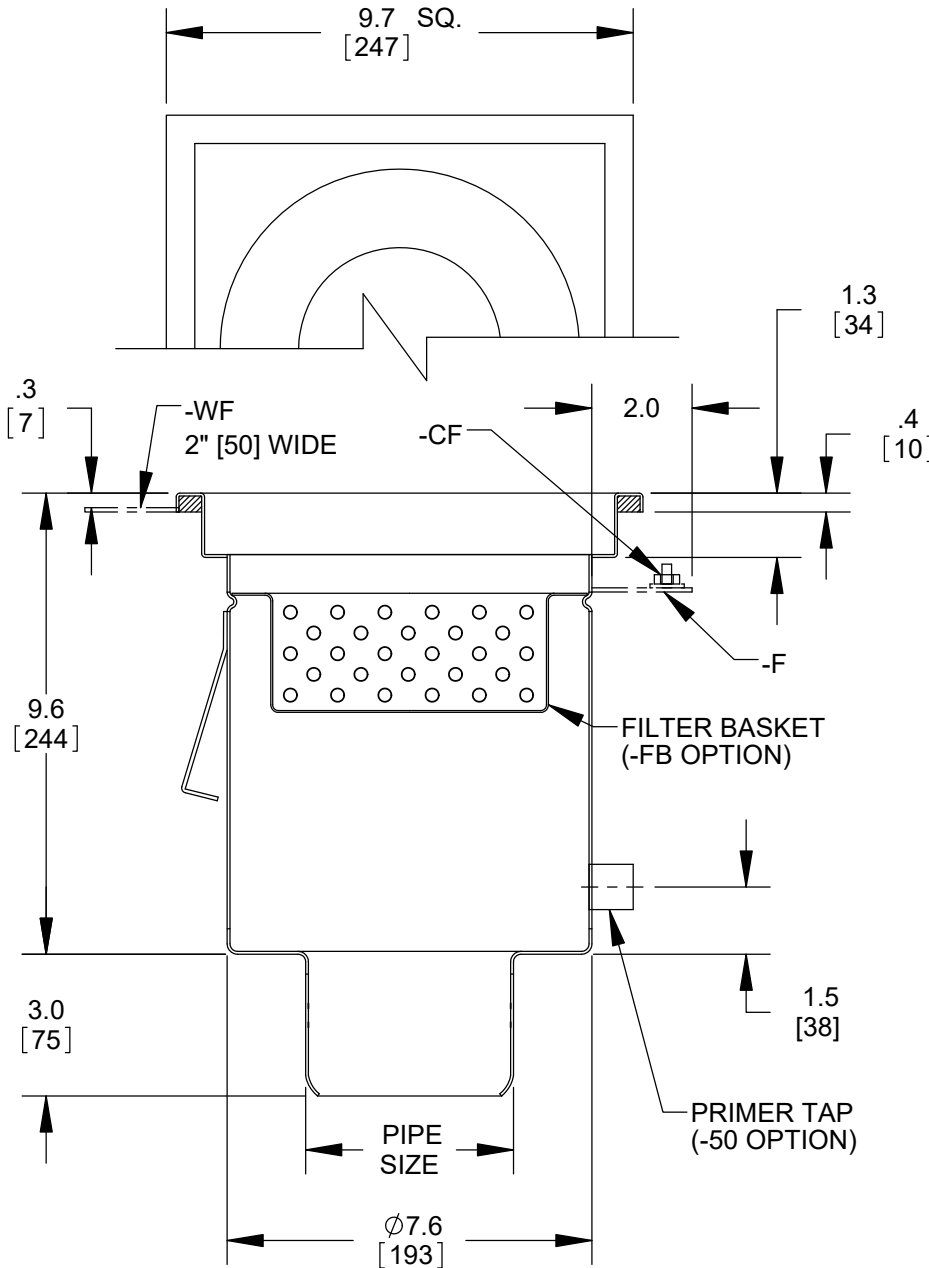


**SPECIFICATION:**

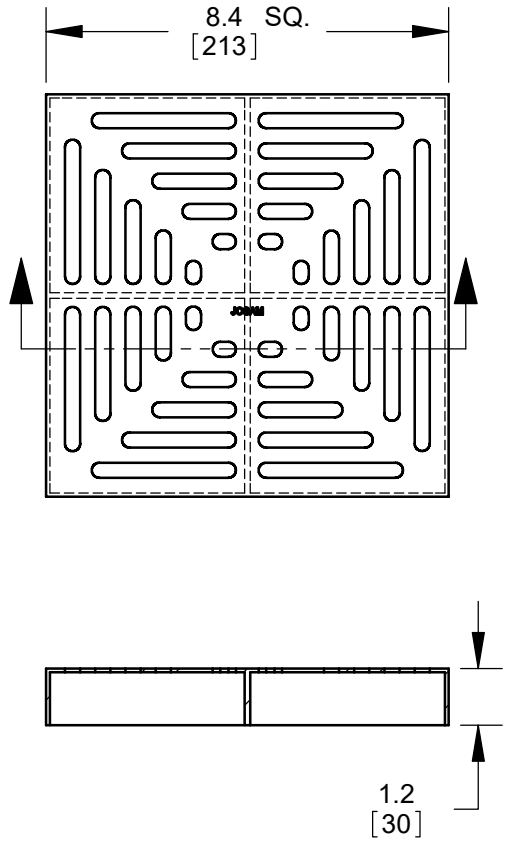
JOSAM SERIES 41550 FABRICATED STAINLESS STEEL (TYPE 304),  
 10" SQUARE TOP, 10" DEEP, WITH NO-HUB BOTTOM OUTLET,  
 ANCHOR TABS AND PERFORATED SS GRATE (STANDARD).

**SS DRAIN**  
 10" SQUARE TOP, 10" DEEP

SERIES **41550**



**STANDARD GRATE**  
 FREE AREA = 20.2 IN<sup>2</sup>  
 MEETS ADA AND HEEL-PROOF REQS.



**OPTIONS:**

-FB	FILTER BASKET
-SB	SEDIMENT BUCKET
-VP	SECURED GRATE
-SO	SIDE OUTLET
-50	1/2" PRIMER TAP
-T	THREADED OUTLET
-BW	BUTT-WELD OUTLET (SPEC. 10, 40, 80)
-F	FLANGE ONLY
-CF	CLAMP AND FLANGE
-WF	WIDE FLANGE

-WH	WEEPHOLE
-NG	NO GRATE
-HG	PERF. HALF GRATE
-3Q	PERF. 3/4 GRATE
-MG	MESH, ANTI-SLIP GRATE
-LG	LADDER GRATE
-SG	PERIMETER SLOT GRATE
-316	TYPE 316L MATERIAL

MODEL	PIPE SIZE
41552	2"
41553	3"
41554	4"

DATE OF LAST CHANGE: 07/14/17

DIMENSIONS ARE SUBJECT TO MANUFACTURERS TOLERANCES AND CHANGE WITHOUT NOTICE. WE CAN ASSUME NO RESPONSIBILITY FOR USE OF SUPERSEDED OR VOID DATA.

**JOSAM COMPANY**  
 MICHIGAN CITY, INDIANA

NOTES