

Location: _____

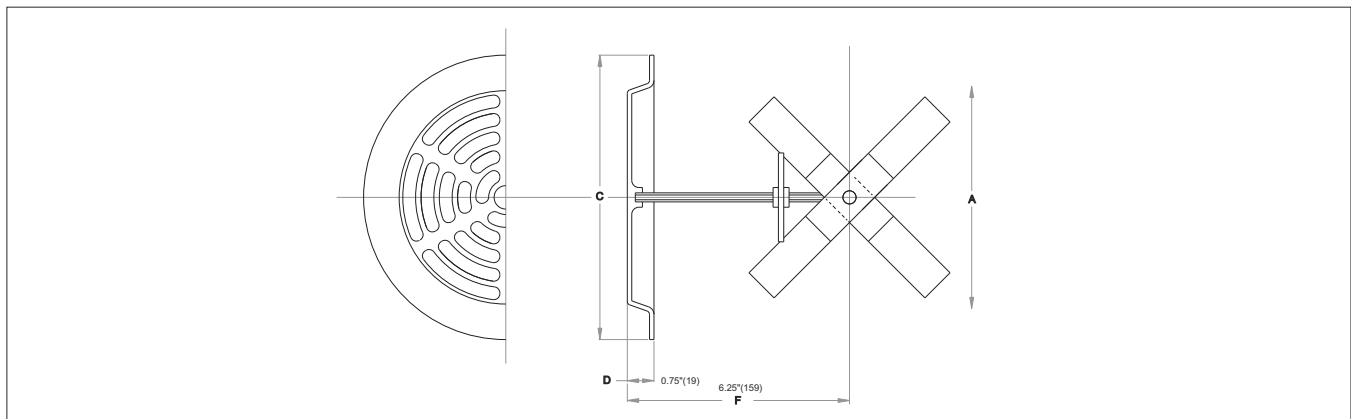
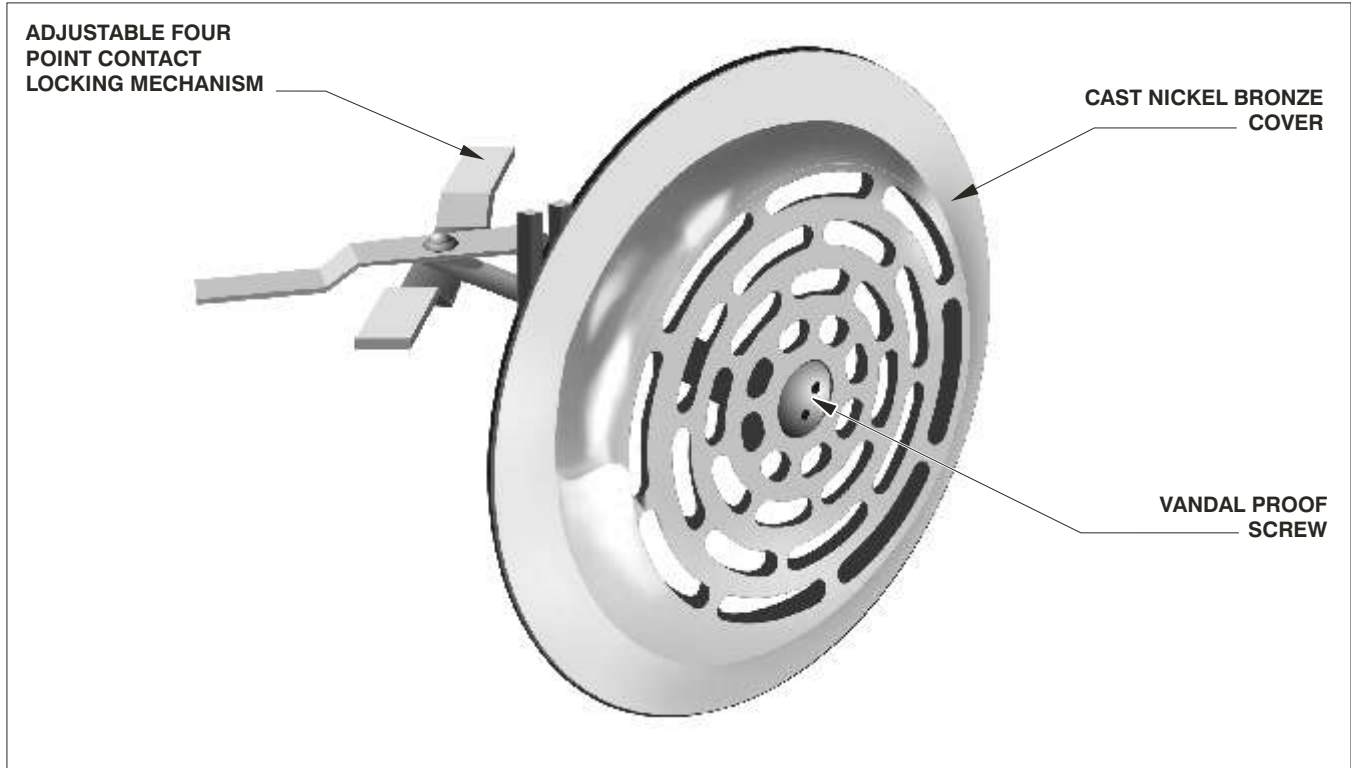


MI-GRILL

FRESH AIR INLET

Specification: MIFAB® Series MI-GRILL nickel bronze fresh air inlet with crowned and perforated round design, assembled with adjustable four point contact locking mechanism and vandal proof screw.

Function: Used as a protective cover for the fresh air inlet piping at the exterior walls of buildings to permit fresh air to enter the piping system. It is typical that the diameter of the fresh air inlet must be double the pipe diameter that it is servicing.



MODEL NUMBER	"A" PIPE SIZE	"C"	"D"	"F"	FREE AREA (SQ. INCHES)
MI-GRILL-4	3", 4" (76, 102)	8" (203)	3/4" (19)	6 1/4" (159)	9 (229)
MI-GRILL-6	5", 6" (127, 152)	12" (305)	3/4" (19)	6 1/4" (159)	28 (711)
MI-GRILL-8	8" (203)	15" (381)	3/4" (19)	6 1/4" (159)	50 (1270)

SUFFIX OPTIONAL VARIATIONS:
 -49 Chrome plated

Job Name: _____ Page No: _____
 Section No: _____ Contractor: _____
 Schedule No: _____ Purchase Order No: _____

MIFAB reserves the right to make changes in material and design without formal notice and obligation.