

Location: _____

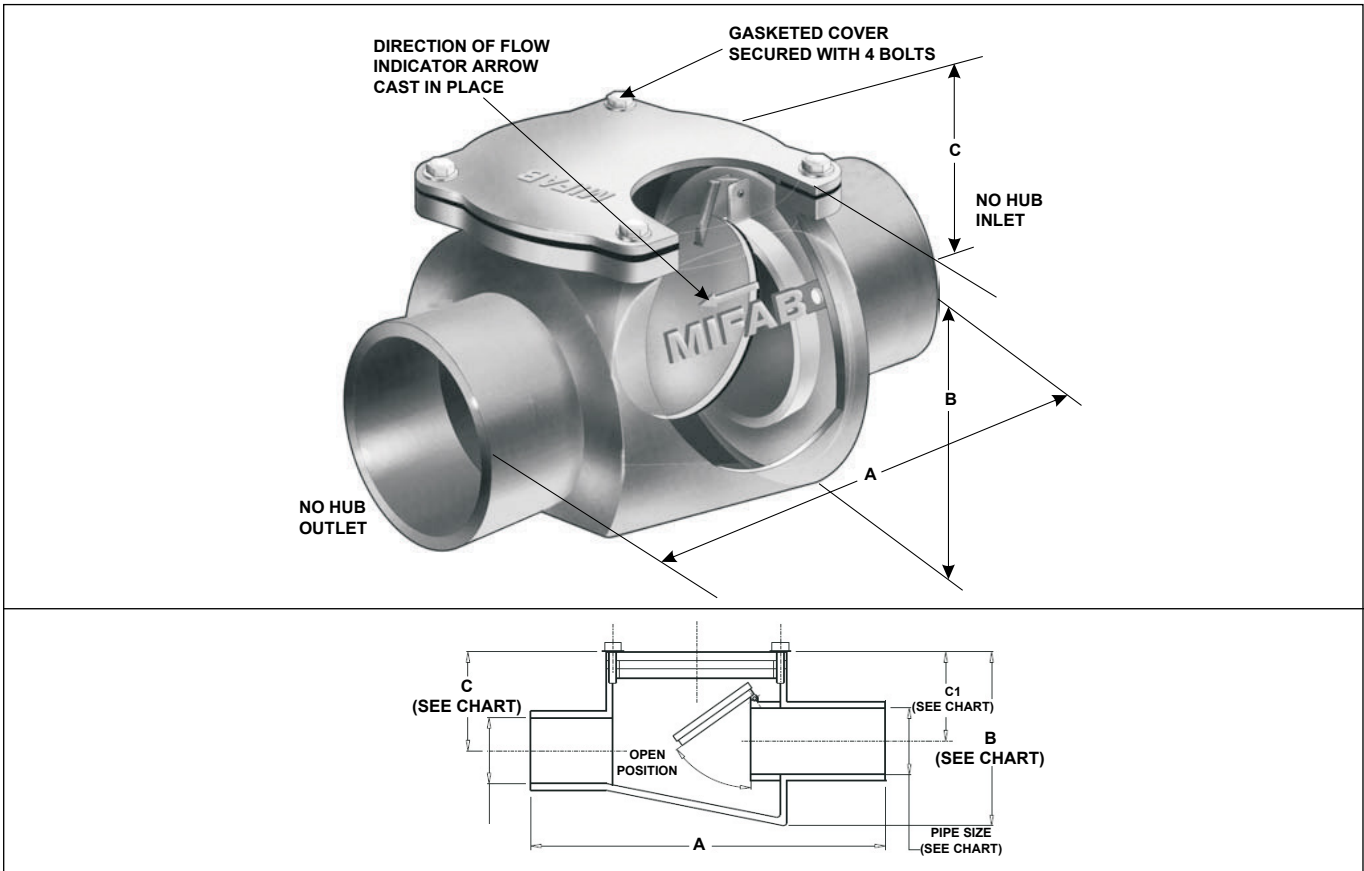


BV1000

CAST IRON HORIZONTAL BACKWATER VALVE WITH PVC FLAPPER

Specification: MIFAB® Series BV1000 lacquered cast iron backwater valve with no hub inlet and outlet, gasketed bolted cover, and automatic pvc flapper type backwater valve.

Function: Used in main branch or sewer lines to prevent backflow from the sewers. Full opening access through cover to the flapper assembly for repair and maintenance.



Note: Do not use for pressurized applications; for gravity flow only. Backflow protection is prevented when the valve is obstructed by debris or sludge; clean regularly.

MODEL NUMBER	CONNECTION SIZE	LENGTH "A"	LENGTH "B"	INVERT (OUTLET) "C"	INVERT (INLET) "C1"
BV1002	2" No Hub	10 3/4" (273)	5 1/2" (140)	2.40" (61)	2 1/8" (54)
BV1003	3" No Hub	11 3/4" (298)	6 3/4" (171)	3.40 (86)	3 1/8" (79)
BV1004	4" No Hub	12 3/4" (324)	7 1/2" (191)	3 5/8" (92)	3 1/2" (89)
BV1006	6" No Hub	14 3/4" (375)	10" (254)	5" (127)	4 5/8" (117)
BV1008	8" No Hub	17" (432)	12 1/4" (311)	7" (178)	6 1/2" (165)
BV1010	10" No Hub	23 5/8" (600)	13 1/2" (343)	7 1/2" (191)	7" (178)
BV1012	12" No Hub	21 1/8" (540)	17 1/2" (443)	9 1/2" (242)	10" (254)

SUFFIX	OPTIONAL VARIATIONS
-13	All Galvanized
-BA	Buy America Act compliant product
-HS	Hub and spigot connection
-PA	Pennsylvania Steel Act compliant product

CALIFORNIA PROPOSITION 65 WARNING. This product contains chemicals known to the State of California to cause cancer and birth defects or other reproductive harm.

Job Name: _____ Page No: _____
 Section No: _____ Contractor: _____
 Schedule No: _____ Purchase Order No: _____