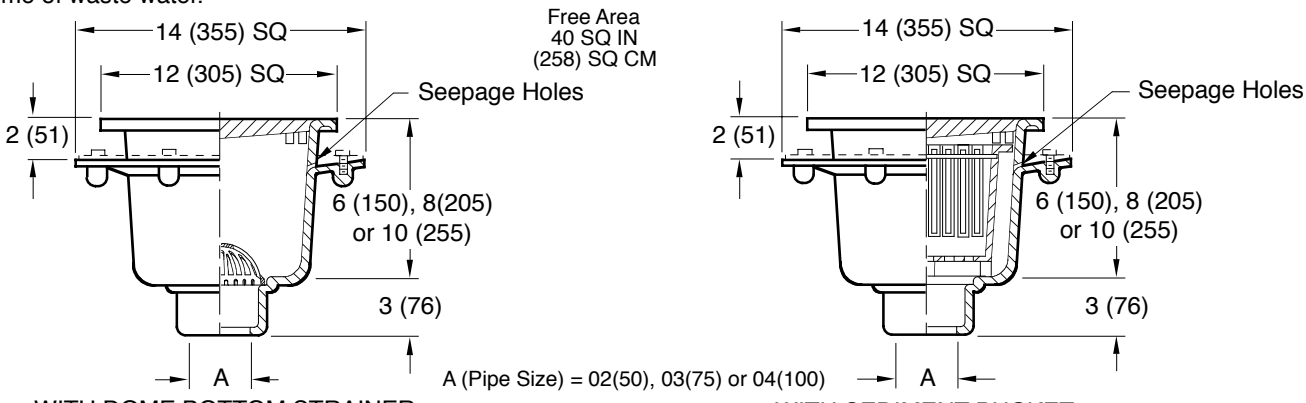


SANI-CEPTOR® ACID RESISTANT COATED FLOOR & INDIRECT WASTE DRAINS

A.R. COATED NON-TRAFFIC TOPS

12" (305) SQUARE TOP - MEDIUM, DEEP, EXTRA DEEP RECEPTORS

FUNCTION: Used in kitchens, hospitals, food markets, restaurants, schools and all types of food handling areas not subject to foot or other traffic. The deeper receptors are particularly useful for indirect waste applications or for handling a large volume of waste water.



WITH DOME BOTTOM STRAINER			WITH SEDIMENT BUCKET		
6" (150) deep	8" (205) deep	10" (255) deep	6" (150) deep	8" (205) deep	10" (255) deep
Fig. ... <input type="checkbox"/> 3420C ... <input type="checkbox"/> 3430C ... <input type="checkbox"/> 3440C ...	Fig. ... <input type="checkbox"/> 3421C ... <input type="checkbox"/> 3431C ... <input type="checkbox"/> 3441C	Fig. ... <input type="checkbox"/> 3420Y ... <input type="checkbox"/> 3430Y ... <input type="checkbox"/> 3440Y ...	Fig. ... <input type="checkbox"/> 3421Y ... <input type="checkbox"/> 3431Y ... <input type="checkbox"/> 3441Y		
CAULK OUTLET			NO-HUB OUTLET		

FEATURES, OPTIONS & ORDERING INFORMATION

REGULARLY FURNISHED: Cast Iron Flanged Receptor with Seepage Holes, Acid Resistant Coated Interior, and Loose Set Acid Resistant Coated Cast Iron Grate. Aluminum Dome Bottom Strainer or White ABS Sediment Bucket as Indicated by Figure Number.

- | | |
|---|---|
| <p>VARIATIONS:</p> <ul style="list-style-type: none"> <input type="checkbox"/> Aluminum Flat Bottom Strainer -FBS <input type="checkbox"/> Flashing Clamp -C <input type="checkbox"/> Less Flange (Specify Fig. *3425, *3426, 3435, 3436, *3445, *3446) <input type="checkbox"/> Polished Aluminum Dome Bottom Strainer -PDBS <input type="checkbox"/> L Speedi-Set Service Weight <input type="checkbox"/> LXH Speedi-Set Extra Heavy | <p>OPTIONAL MATERIALS:</p> <ul style="list-style-type: none"> <input type="checkbox"/> All Duco Cast Iron Receptor and Grate -CI <input type="checkbox"/> All Galvanized Receptor and Grate -G <p>NOTE: This grate is not recommended for any type of traffic including pedestrian traffic.</p> <p>NOTE: Dimensions shown in parentheses are in millimeters.</p> |
|---|---|

OPTIONAL TOP GRATES AND COVERS FOR INDIRECT WASTE APPLICATIONS

SUFFIX NUMBER	DESCRIPTION
<input type="checkbox"/> -10	Less A.R.C. Grate
<input type="checkbox"/> -12	With A.R.C. 1/2 Grate
<input type="checkbox"/> -13	With A.R.C. 3/4 Grate
<input type="checkbox"/> -14	With A.R.C. Grate with 2 1/2" (64) DIA Center Hole
<input type="checkbox"/> -15	With NB Rim and Aluminum Recessed Grate
<input type="checkbox"/> -21	With A.R.C. Grate and 4" (100) DIA A.R.C. Funnel
<input type="checkbox"/> -22	With A.R.C. Grate and 6" (150) DIA A.R.C. Funnel
<input type="checkbox"/> -25	With A.R.C. Grate and 8 1/4(210) x 3 1/4(83) x 4 1/2"(115) High Oval A.R.C. Funnel
<input type="checkbox"/> -26	With A.R.C. Grate and 6(150) x 2 1/2(64) x 1"(25) High Oval A.R.C. Funnel
<input type="checkbox"/> -41	With A.R.C. Solid Cover
<input type="checkbox"/> -42	With A.R.C. 1/2 Solid Cover
<input type="checkbox"/> -43	With A.R.C. 3/4 Solid Cover
<input type="checkbox"/> -44	With A.R.C. Solid Cover with 2 1/2" (64) DIA Center Hole

DRAWING NUMBER: S3420
 SIZE: A
 SCALE: NONE
 DATE: 9-19-85
 APPROVED BY: JD
 CHECKED BY: JD
 DRAWN BY: CM
3420-3441 Series

WE CAN ASSUME NO RESPONSIBILITY FOR USE OF SUPERSEDED OR VOID DATA
 DIMENSIONS ARE SUBJECT TO MANUFACTURERS TOLERANCE AND CHANGE WITHOUT NOTICE

REV.	DATE	DESCRIPTION	BY	CKD. BY	WEIGHT POUNDS	VOLUME CUBIC FEET	FIGURE NUMBER 3420-3441 Series