

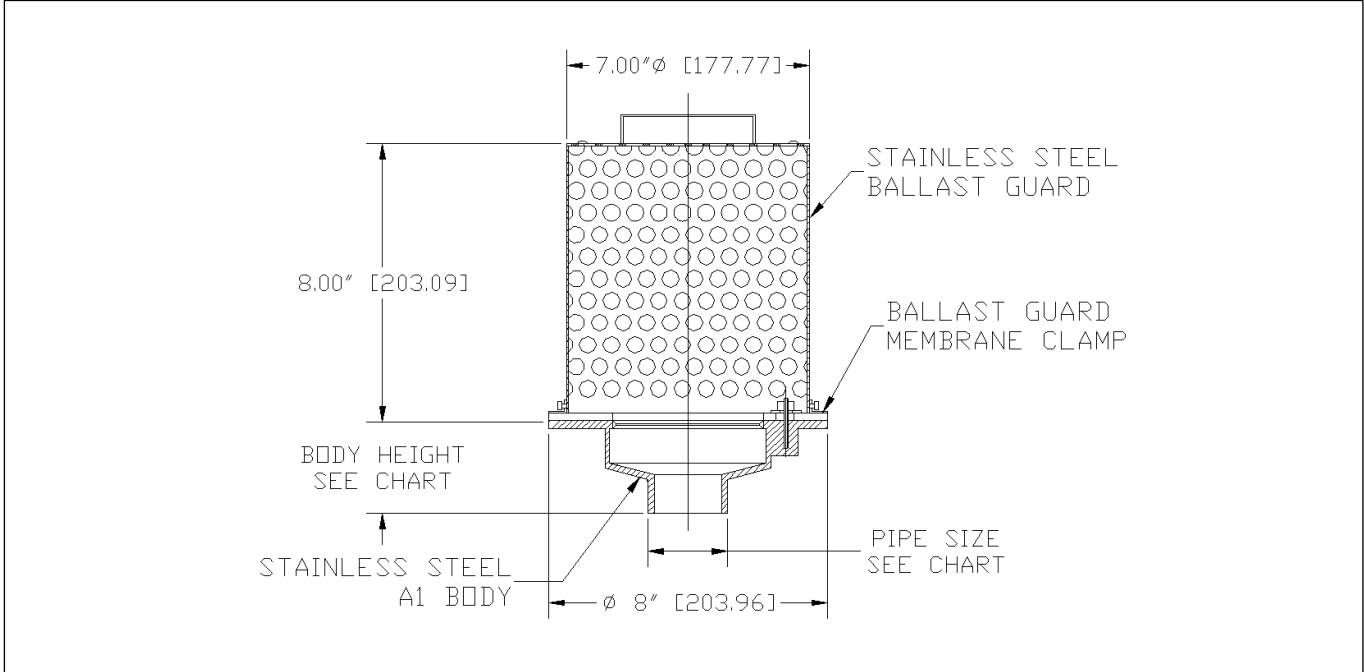
Location: \_\_\_\_\_



**R1100-28-G8H**

**GREEN ROOF DRAIN WITH PERFORATED  
STAINLESS STEEL BALLAST GUARD AND  
REMOVABLE COVER WITH LIFT HANDLE**

**Specification:** MIFAB® Series R1100-28-G8H green roof drain with 8" diameter, cast stainless steel A1 body with 2", 3", or 4" no hub bottom outlet connection, stainless steel membrane clamp, 8" high secured stainless steel ballast guard and removable perforated lid with lift handle.



MODEL NO.	PIPE SIZE	BODY HEIGHT				
		NO HUB (STANDARD)	PUSH ON (P)	THREADED (T)	INSIDE CAULK (X)	PVC (-30) / ABS (-31)
R1102-28-G8H	2" (51)	3" (76)	3 3/8" (86)	2 1/4" (57)	3 3/4" (95)	2 5/8" (67)
R1103-28-G8H	3" (76)	3" (76)	3 3/8" (86)	2 5/8" (67)	3 3/4" (95)	3 1/4" (83)
R1104-28-G8H	4" (102)	3" (76)	3 3/8" (86)	2 5/8" (67)	3 3/4" (95)	3 1/2" (89)

Suffix	Description
-6	Vandal proof secured top
-44	2" no hub auxiliary inlet (on ballast guard)
-45	3" no hub auxiliary inlet (on ballast guard)
-46	4" no hub auxiliary inlet (on ballast guard)
-BA	Buy America Act compliant product
-G(*)H	(*) indicates total custom height of ballast guard required.
-PA	Pennsylvania Steel Act compliant product

CALIFORNIA PROPOSITION 65 WARNING. This product contains chemicals known to the State of California to cause cancer and birth defects or other reproductive harm.

Job Name: \_\_\_\_\_ Page No: \_\_\_\_\_  
 Section No: \_\_\_\_\_ Contractor: \_\_\_\_\_  
 Schedule No: \_\_\_\_\_ Purchase Order No: \_\_\_\_\_