

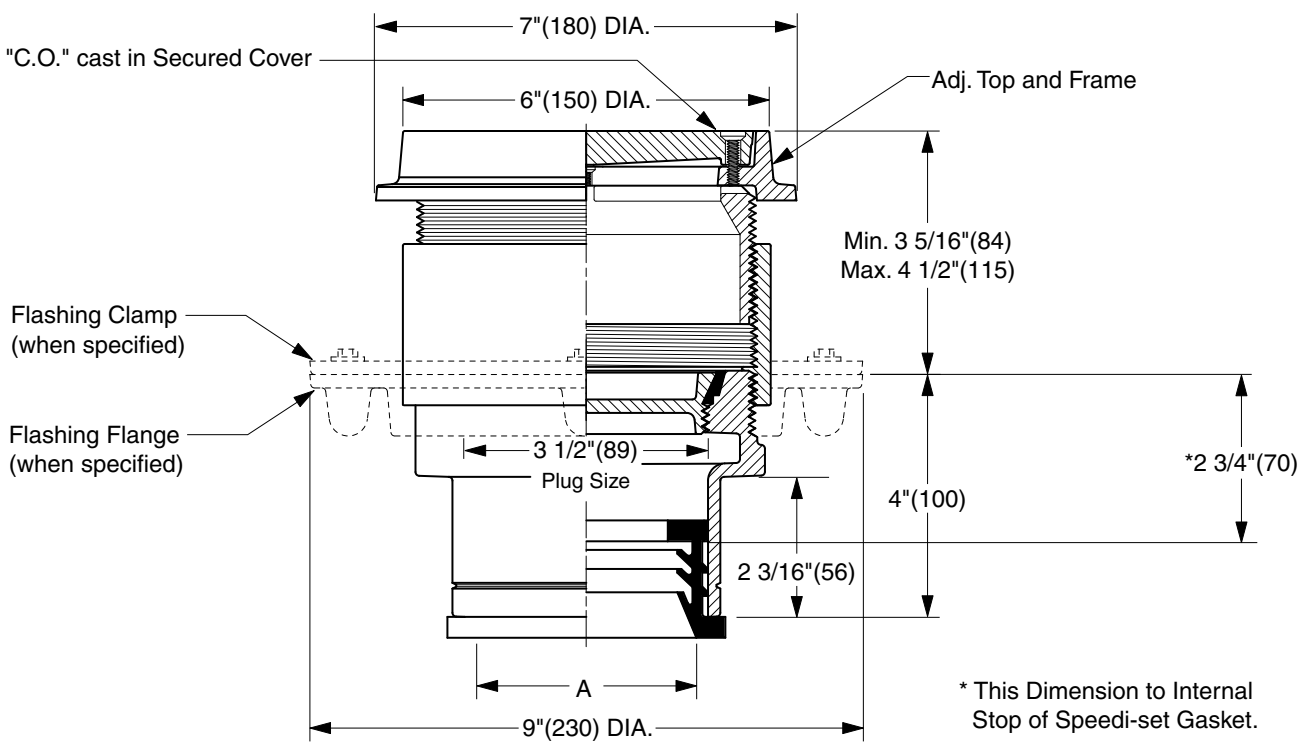
## FLOOR CLEANOUTS WITH "TWIS-TO-FLOOR®" ADJUSTABLE TOPS FOR UNFINISHED AREAS

### ROUND EXTRA HEAVY DUTY CAST IRON TOP

**FUNCTION:** Used in hospitals, schools, institutional and industrial buildings where floors are subject to heavy load traffic.

DRAWING NUMBER S4231  
SIZE A  
SCALE: NONE  
DATE: 2-16-70  
APPROVED BY: JM  
CHECKED BY: BH  
DRAWN BY: RK  
FIGURE NUMBER 4231 SERIES

WE CAN ASSUME NO RESPONSIBILITY FOR USE OF SUPERSEDED OR VOID DATA  
DIMENSIONS ARE SUBJECT TO MANUFACTURERS TOLERANCE AND CHANGE WITHOUT NOTICE



TWIS-TO-FLOOR® ADJUSTMENT

SPEEDI-SET OUTLET ▲

"A" (Pipe Size) = 02(50), 03(75) or 04(100)

- |  |  |
|--|--|
| <ul style="list-style-type: none"> <li><input type="checkbox"/> Fig. 4231L.....Gasket Seal - ABS Plug</li> <li><input type="checkbox"/> Fig. 4232L.....Gasket Seal - Bronze Plug</li> <li><input type="checkbox"/> Fig. 4233L.....Taper Thread - Bronze Plug</li> <li><input type="checkbox"/> Fig. 4234L.....Taper Thread - ABS Plug</li> </ul> | <p>(Twis-to-Floor® design shown with gasketed plug.)</p> <p><b>NOTE:</b> Dimensions shown in parentheses are in millimeters.</p> |
|--|--|

**REGULARLY FURNISHED:**

Duco Cast Iron Cleanout with Round Adjustable Scoriated Secured Cast Iron Top. Closure Plug Type as Indicated By Figure Number Selected.

**VARIATIONS:**

- Flashing Flange -F
- Flange with Flashing Clamp -F-C
- Vandal Proof Top -U

▲ Available in Extra Heavy, Service Weight or NO-HUB.

**OPTIONAL MATERIALS:**

- Galvanized Cast Iron -G
- Ductile Iron Cover -M

N	12/17/04	Added Width Dimension at Top	JJ	CL			FIGURE NUMBER
M	07/29/02	Corrected Clamp & Flange view	JJ	CL			<b>4231 SERIES</b>
L	04/12/01	Added dimension and note	JJ	CL			
K	10/27/00	New design	JJ	BS			
REV.	DATE	DESCRIPTION	BY	CKD. BY	WEIGHT POUNDS	VOLUME CUBIC FEET	



**JAY R. SMITH MFG. CO.**  
 DIVISION OF SMITH INDUSTRIES, INC.  
 POST OFFICE BOX 3237  
 MONTGOMERY, ALABAMA 36109-0237 (USA)  
 TEL: 334-277-8520 FAX: 334-272-7396 www.jrsmith.com



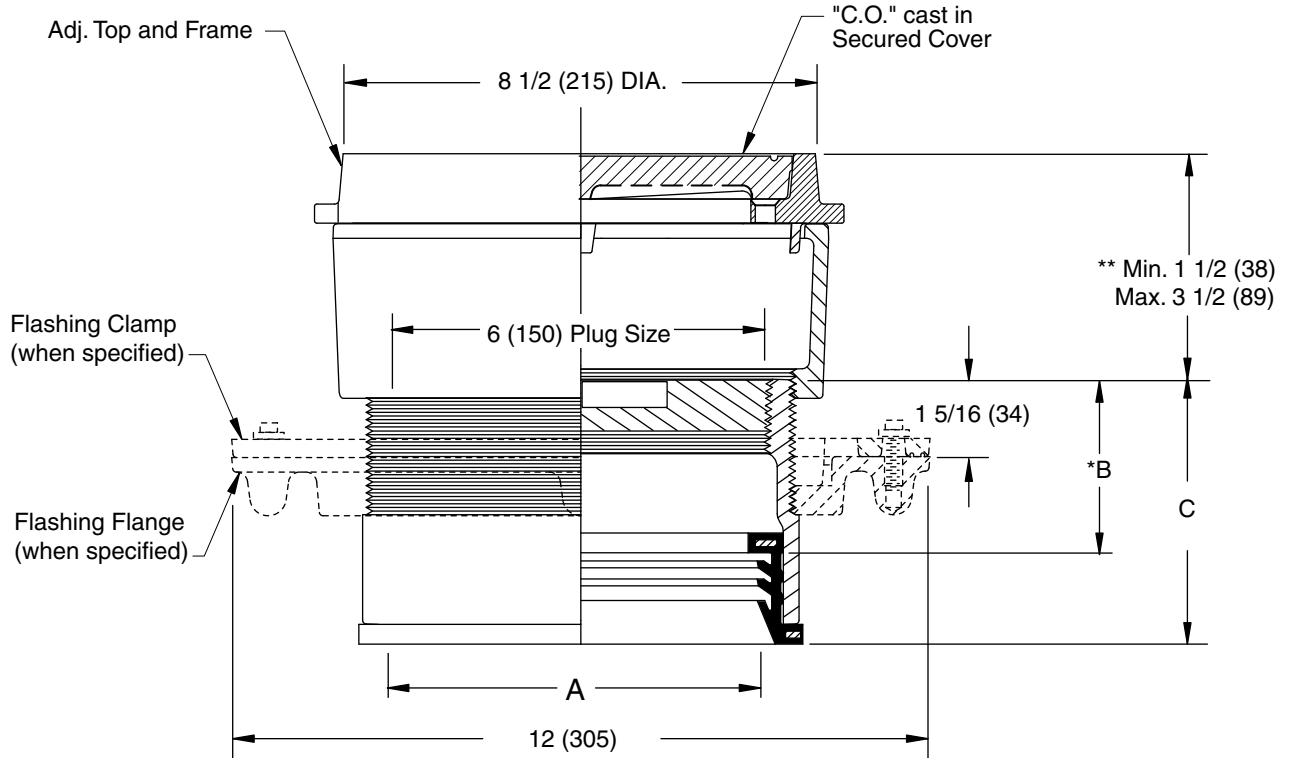
MEMBER OF:

LOCATION

# FLOOR CLEANOUTS WITH "TWIS-TO-FLOOR®" ADJUSTABLE TOPS FOR UNFINISHED AREAS

## ROUND EXTRA HEAVY DUTY CAST IRON TOP

**FUNCTION:** Used in floors and areas where appearance of Cast Iron is satisfactory. Will withstand heavy load traffic.



### SPEEDI-SET OUTLET ▲

"A" (Pipe Size) = 06(150) & 08(200)

A SIZE	B	C
06(150)	*3(76)	4 9/16(117)
08(200)	*3 1/4(83)	4 13/16(121)

▲ Available in "L" Service Weight, "LXH" Extra Heavy or "LPVC" PVC or ABS. "LPVC" applicable to 06(150) Pipe Size only.

\* This Dimension to Internal Stop of Speedi-Set Gasket.

\*\* When Flange-F is specified Min. 1 1/2 (38) becomes 2 (51)

### "TWIS-TO-FLOOR®" ADJUSTMENT

#### SPEEDI-SET OUTLET ▲

Fig. 4233L.....Taper Thread - Bronze Plug

#### REGULARLY FURNISHED:

Duco Cast Iron Cleanout with Taper Thread Bronze Plug and Round Adjustable Scoriated Secured Cast Iron Top.

#### VARIATIONS:

- Flashing Flange -F
- Flange with Flashing Clamp -F-C
- Vandal Proof Top -U

#### OPTIONAL MATERIALS:

- Galvanized Cast Iron -G
- Ductile Iron Cover-M

**NOTE:** Dimensions shown in parentheses are in millimeters.

DRAWING NUMBER  
S4231BS

SIZE  
A

SCALE:  
NONE

DATE:  
5-5-06

APPROVED BY:  
CEL

CHECKED BY:  
CL

DRAWN BY:  
RN

4233

FIGURE NUMBER

DIMENSIONS ARE SUBJECT TO MANUFACTURERS TOLERANCE AND CHANGE WITHOUT NOTICE

REV.	DATE	DESCRIPTION	BY	CKD. BY

WEIGHT POUNDS	VOLUME CUBIC FEET

FIGURE NUMBER <b>4233</b>
------------------------------