

Location: _____

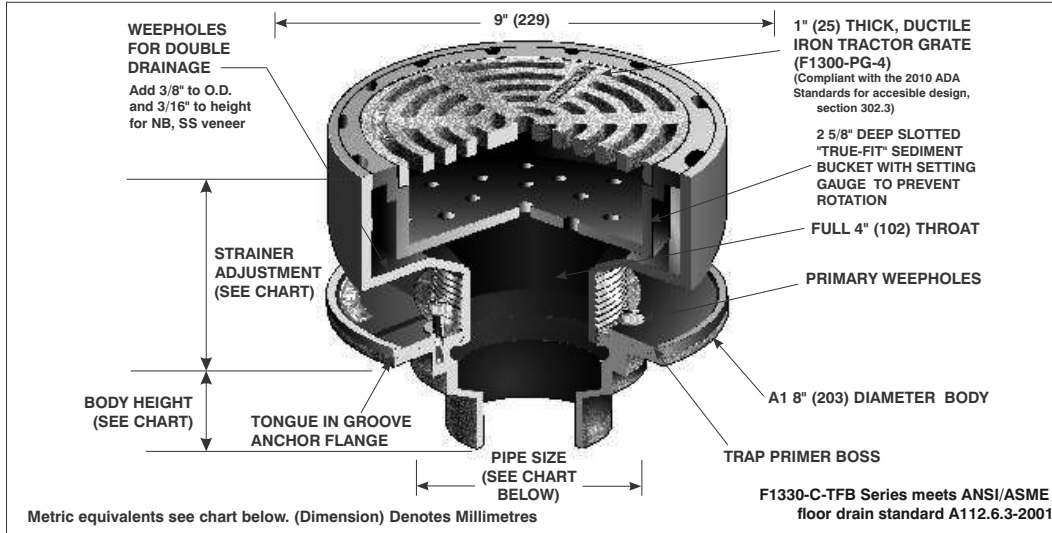


F1320-TFB

FLOOR DRAIN WITH 9" ROUND ADJUSTABLE TRACTOR GRATE AND "TRUE-FIT" SEDIMENT BUCKET

Specification: MIFAB® Series F1320-C-TFB lacquered cast iron floor drain with anchor flange, standard 1" (25) thick, 9" (235) round, (specify material finish) tractor grate, and "True-Fit" sediment bucket designed so that grate cannot be set unless the sediment bucket is in position.

Function: Used where waste water contains solids or debris that must be intercepted to prevent drain line clogging. "True-Fit" design ensures that the sediment bucket will always be replaced after cleaning. The grate cannot be set unless the sediment bucket is in place.



| STRAINER SIZE | STRAINER ADJUSTMENT | | ANSI/ASME RATING | | PIPE SIZE | BODY HEIGHT | | | | |
|---------------|---------------------|-------------|--|--|-----------|-------------------|--------------|--------------|------------------|---------------------|
| | | | FREE AREA | LOAD RATING | | NO HUB (STANDARD) | PUSH ON (P) | THREADED (T) | INSIDE CAULK (X) | PVC/ABS (-30)/(-31) |
| | | | | N.B. (-1) / S.S. (-3) / D.I. (-4) | | | | | | |
| 9" (229) | 2" (51) | 2 1/2" (64) | 18 in ² (11613 ²) | ANSI/ASME LOAD CLASS "SPECIAL DUTY" (OVER 10,000 LBS.) | 2" (51) | 3" (76) | 3 3/8" (86) | 2 1/4" (57) | 3 3/4" (95) | 2 15/16" (75) |
| | | | | | 3" (76) | 3" (76) | 3 3/8" (86) | 2 5/8" (67) | 3 3/4" (95) | 3 3/4" (95) |
| | | | | | 4" (102) | 3" (76) | 3 3/8" (86) | 2 5/8" (67) | 3 3/4" (95) | 3 3/4" (95) |
| | | | | | 5" (127) | 3" (76) | -- | 2 5/8" (67) | 3 3/4" (95) | -- |
| | | | | | 6" (152) | 3 1/4" (83) | 6 1/2" (165) | -- | -- | -- |

| SUFFIX | OPTIONAL VARIATIONS |
|--------|--|
| -1 | Nickel bronze (vener) |
| -3 | Stainless steel (vener) |
| -4 | Ductile iron strainer |
| -5 | Sediment bucket |
| -6 | Security screws (T-20 Torx & pin) |
| -7 | 1/2" trap seal primer connection |
| -8 | Backwater valve (2", 3", 4") |
| -11 | Acid resistant epoxy coated body |
| -12 | Galvanized top assembly |
| -13 | Galvanized body |
| -14 | Non-tilt grate |
| -15 | Extension |
| -16 | Square top |
| -21 | Secondary flat stainless steel strainer (2", 3", 4") |
| -24 | Solid secured cover |
| -28 | Stainless steel body (Type 304) |
| -30 | PVC socket connection body |
| -31 | ABS socket connection body |
| -32 | 2", 3", 4" integral deep seal trap |
| -34 | Closure plug |
| -40 | Underdeck clamp |

| | |
|------------|---|
| -41 | Sump receiver |
| -50 | Lacquered cast iron funnel |
| -90 | Threaded side outlet (2", 3", 4") |
| -90NH | No hub side outlet (2", 3", 4") |
| -95 | Client logo |
| -150 | Half grate |
| -175 | Three quarter grate |
| -BA | Buy American Act compliant product |
| -F4 | 4" Round funnel |
| -F6 | 6" Round funnel |
| -G | Oval 4" x 9" funnel |
| -HP | Heel proof grate (1/4" maximum grate opening size, -3 only) |
| -J | 6" x 3" x 1" funnel |
| (Standard) | No hub outlet |
| -MG | MI-GARD Floor Drain Trap Sealer (2", 3" or 4") |
| P | Push on outlet |
| -PA | Pennsylvania Steel Act compliant product |
| T | Threaded outlet (2", 3", 4") |
| X | Inside caulk outlet |
| -Y | Non-adjustable top |
| -Z | Extended wide elastomeric flange |

CALIFORNIA PROPOSITION 65 WARNING. This product contains chemicals known to the State of California to cause cancer and birth defects or other reproductive harm.

Job Name: _____ Page No: _____

Section No: _____ Contractor: _____

Schedule No: _____ Purchase Order No: _____