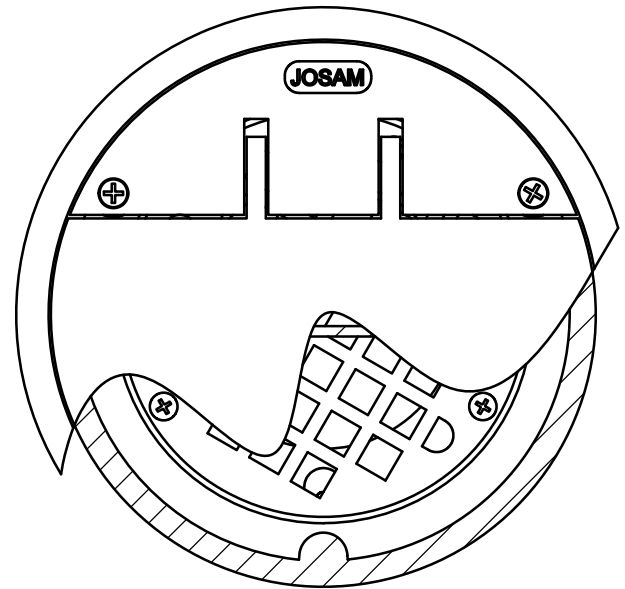
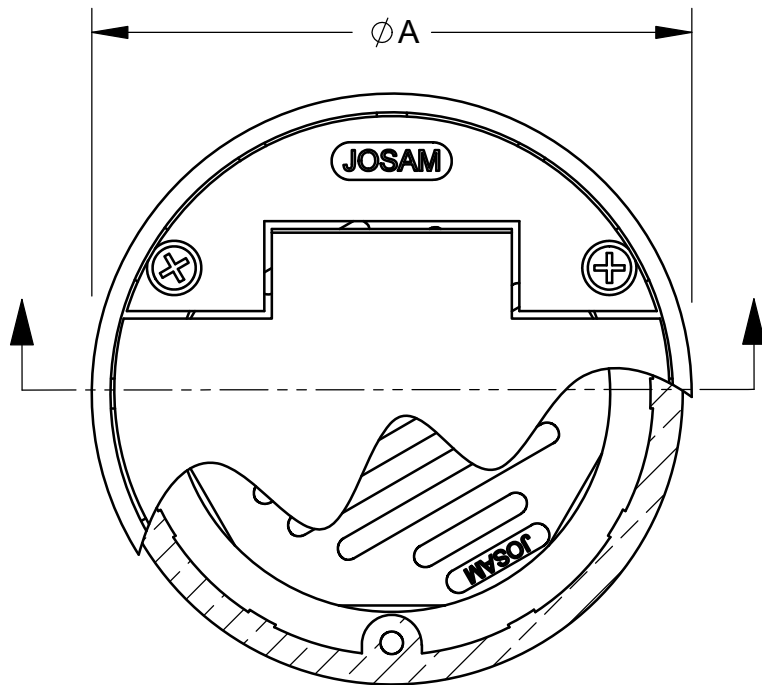


SPECIFICATION:

JOSAM SERIES G ADJUSTABLE SATIN FINISH NIKALOY ROUND STRAINER WITH SOLID HINGED COVER AND INTERNAL STRAINER GRATE THREADED WITH JOSAM ADJUSTABLE STRAINER THREAD

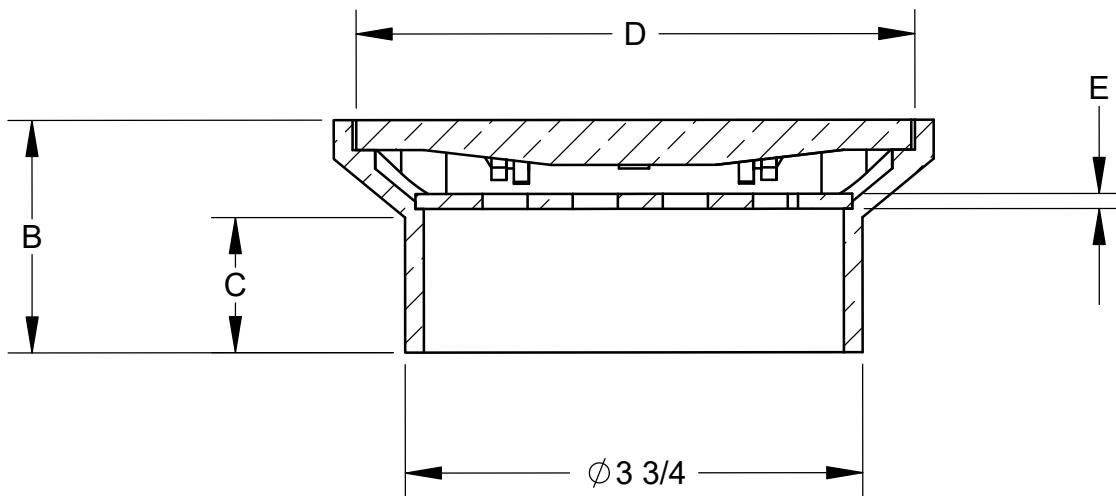
**FLOOR DRAIN
ROUND NIKALOY STRAINER
WITH SOLID HINGED COVER**

SERIES **G**



| | | | |
|-------------|------|------|------|
| TYPE NO. | 5G | 6G | 7G |
| SLOTS WIDTH | 3/16 | 3/16 | 5/16 |

| | |
|-------------|------|
| TYPE NO. | 8G |
| SLOTS WIDTH | 7/16 |



| | | | | | STRAINER | A | B | C | D | E | FREE AREA |
|------|------------------------------------|--|--|--|----------|---|-------|-------|-------|------|-----------|
| -2 | BRONZE ADJUSTABLE STRAINER | | | | | | | | | | |
| -J | BACKWATER VALVE | | | | -5G | 5 | 2 | 1-1/8 | 4-5/8 | 1/4 | 4.1 |
| -VP | SECURED GRATE, VANDAL-PROOF SCREWS | | | | -6G | 6 | 2-1/4 | 15/16 | 5-1/4 | 3/16 | 4.5 |
| -TSI | TRAP SEAL INSERT | | | | -7G | 7 | 3-1/4 | 2 | 6-1/2 | 3/16 | 5.7 |
| | | | | | -8G | 8 | 3-1/4 | 1-1/8 | 7-1/8 | 7/32 | 7.8 |

DATE OF LAST CHANGE: 03/13/19

DIMENSIONS ARE SUBJECT TO MANUFACTURERS TOLERANCES AND CHANGE WITHOUT NOTICE. WE CAN ASSUME NO RESPONSIBILITY FOR USE OF SUPERSEDED OR VOID DATA.



MICHIGAN CITY, INDIANA

NOTES

WARNING: Cancer and Reproductive Harm - www.P65Warnings.ca.gov