

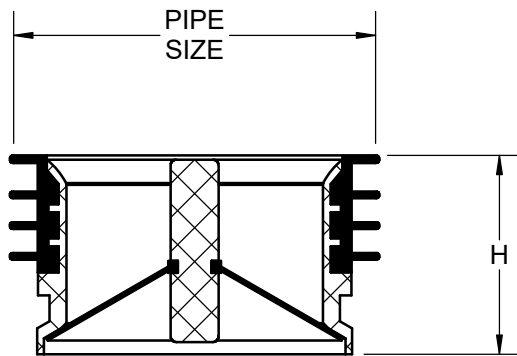
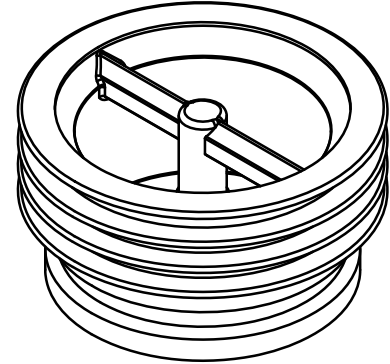
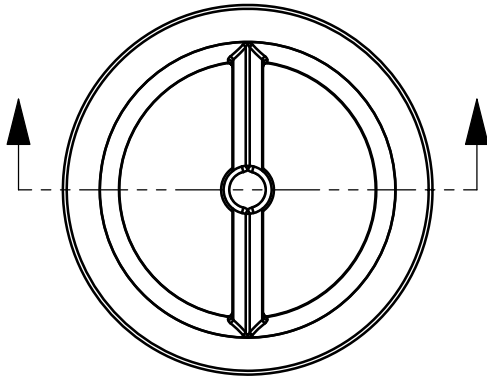
**SPECIFICATION:**

JOSAM SERIES 88240 TRAP GUARD INSERT TO PROVIDE A WATERLESS TRAP SEAL AGAINST ODORS AND PESTS.

ASSE 1072, ICC, UPC

**TRAP GUARD  
INSERT**

SERIES **88240**



PIPE SIZE	MODEL	H
2"	88242	2 [51]
3"	88243	2 [51]
3-1/2"	88243-1/2 *	2 [51]
4"	88244	2 [51]

\* FITS JOSAM SERIES 30000 TYPE STRAINER BODY DIAMETER

WARNING: Cancer and Reproductive Harm - www.P65Warnings.ca.gov

DATE OF LAST CHANGE: 08/30/18

DIMENSIONS ARE SUBJECT TO MANUFACTURERS TOLERANCES AND CHANGE WITHOUT NOTICE. WE CAN ASSUME NO RESPONSIBILITY FOR USE OF SUPERSEDED OR VOID DATA.



MICHIGAN CITY, INDIANA

NOTES