

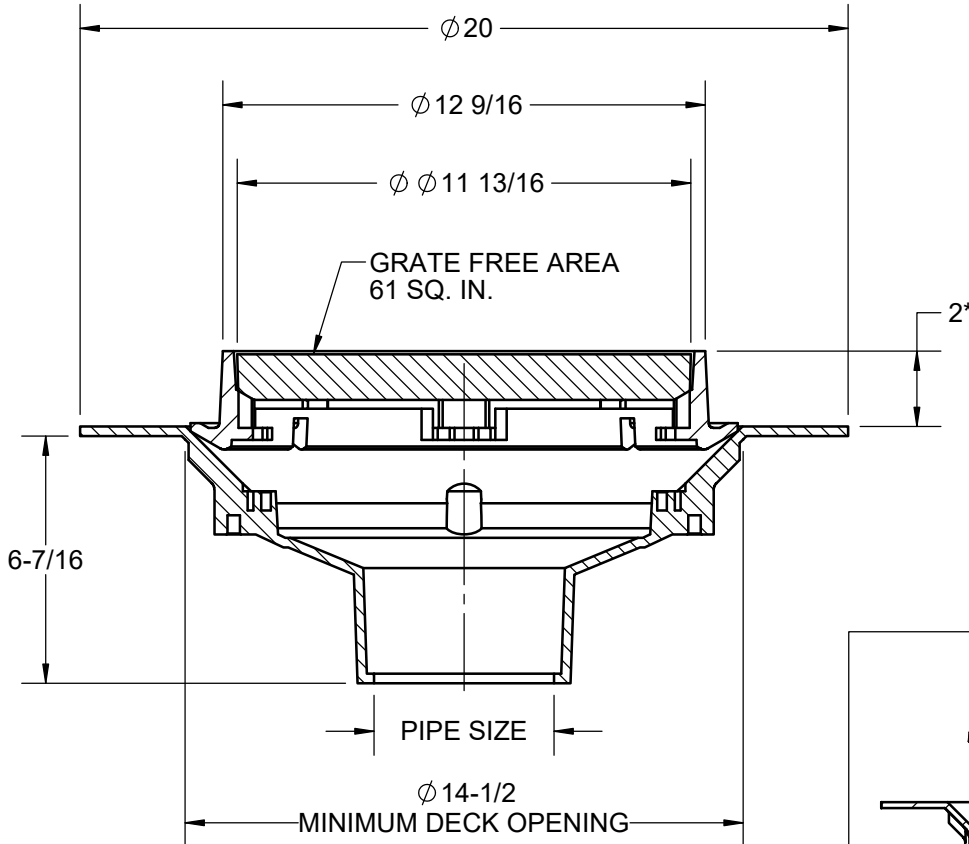
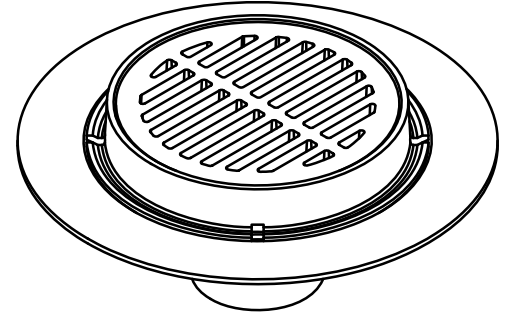
**SPECIFICATION:**

JOSAM SERIES 24050 COATED CAST IRON GARAGE DRAIN WITH WIDE SUPPORT FLANGE, WEEPHOLES, ROUND SPECIAL-DUTY GRATE AND BOTTOM OUTLET INSIDE CAULK CONNECTION.

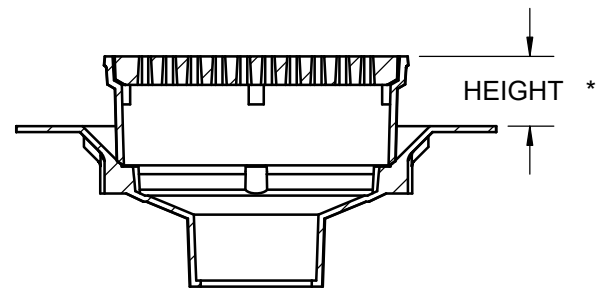
**DRAIN  
SPECIAL-DUTY, FLAT GRATE**

SERIES **24050**

**SLOT WIDTH 1/2" MEETS ADA  
(-50 & -51 SLOT WIDTH 1/4" ) MEETS ADA AND HEEL-PROOF**



\* ADD 1/4" WHEN FURNISHED WITH NIKALOY OR BRASS TOP



-12 OPTIONAL EXTENSION  
SPECIFY HEIGHT= \_\_\_\_\_

4"	PIPE SIZE		-31	CHAIN ANCHORED GRATE
6"	PIPE SIZE		-36	DUCTILE IRON GRATE ( CAST IRON TOP ONLY )
8"	PIPE SIZE		-50	SATIN FINISH NIKALOY TOP *
			-51	SATIN FINISH BRASS TOP *
-1	DECK CLAMP ASSEMBLY			
-12	EXTENSION CAST IRON ( SPECIFY HEIGHT )		-VP	SECURED GRATE
-20	GALVANIZED CAST IRON PARTS			
-29	SEDIMENT BUCKET, CAST IRON	X	-X	INSIDE CAULK OUTLET
-29-20	SEDIMENT BUCKET, GALVANIZED			

WARNING: Cancer and Reproductive Harm - www.P65Warnings.ca.gov

DATE OF LAST CHANGE: 6/28/18

DIMENSIONS ARE SUBJECT TO MANUFACTURERS TOLERANCES AND CHANGE WITHOUT NOTICE. WE CAN ASSUME NO RESPONSIBILITY FOR USE OF SUPERSEDED OR VOID DATA.



NOTES