

ROOF ACCESSORY

DOWNSPOUT NOZZLE

FUNCTION: Used as a parapet overflow or at the base of a wall where a concealed leader discharges rainwater to ground. Nozzle design diverts water away from building, eliminating wall stains. Wall flange covers rough opening.

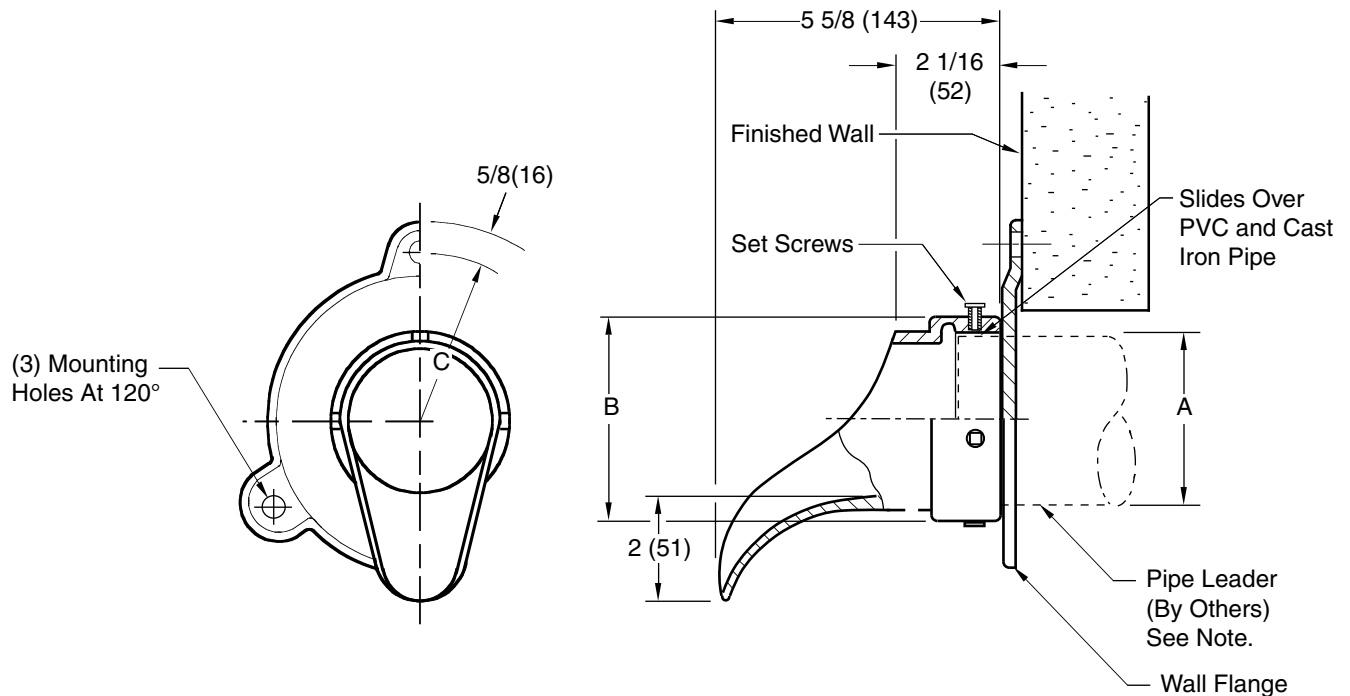


Fig. 1771

NOTE: Pipe (Leader) must extend past the face of the finished wall in order to install the wall flange and attach the downspout nozzle. Dimension shall be field determined by installer.

NOTE: Dimensions shown in parentheses are in millimeters.

A = Pipe Size	02 (50)	03 (75)	04 (100)	05 (125)	06 (150)	08 (200)	10 (250)	12 (305)
B = DIA	2 3/4 (70)	4 (100)	5 (125)	6 (150)	7 1/4 (185)	9 1/4 (235)	11 1/8 (283)	13 1/4 (335)
C = RAD	2 3/4 (70)	3 1/2 (89)	3 7/8 (98)	4 3/8 (111)	5 (125)	5 7/8 (149)	7 1/4 (185)	8 (205)

REGULARLY FURNISHED:
 Cast Bronze Nozzle and Flange,
 Machined Nozzle Slides Over
 PVC and Cast Iron Pipe.

VARIATIONS:
 Bird Screen-BS

OPTIONAL MATERIALS:
 Nickel Bronze -NB
 Polished Bronze -PB

DRAWING NUMBER
S1771

SIZE
A

SCALE:
NONE

DATE:
09/01/09

APPROVED BY:
CL

CHECKED BY:
CL

DRAWN BY:
JJ

1771

WE CAN ASSUME NO RESPONSIBILITY FOR USE OF SUPERSEDED OR VOID DATA

DIMENSIONS ARE SUBJECT TO MANUFACTURERS TOLERANCE AND CHANGE WITHOUT NOTICE

REV.	DATE	DESCRIPTION	BY	CKD. BY	WEIGHT POUNDS	VOLUME CUBIC FEET	FIGURE NUMBER 1771
------	------	-------------	----	---------	---------------	-------------------	------------------------------