

SPECIFICATION:

JOSAM 17100-BB-M628 SERIES FLOOR-MOUNTED, BACK-TO-BACK LAVATORY CARRIER WITH OFFSET CONCEALED ARMS, LEVELING AND SECURING EYE BOLTS, STRUCTURAL UPRIGHTS AND WELDED FEET.

LAVATORY CARRIER

**FLOOR-MOUNT
CONCEALED ARM**

SERIES 17100-BB-M628

MANUFACTURER _____

NUMBER _____

SIZE _____

NAME _____

DIMENSIONS

A _____

C _____

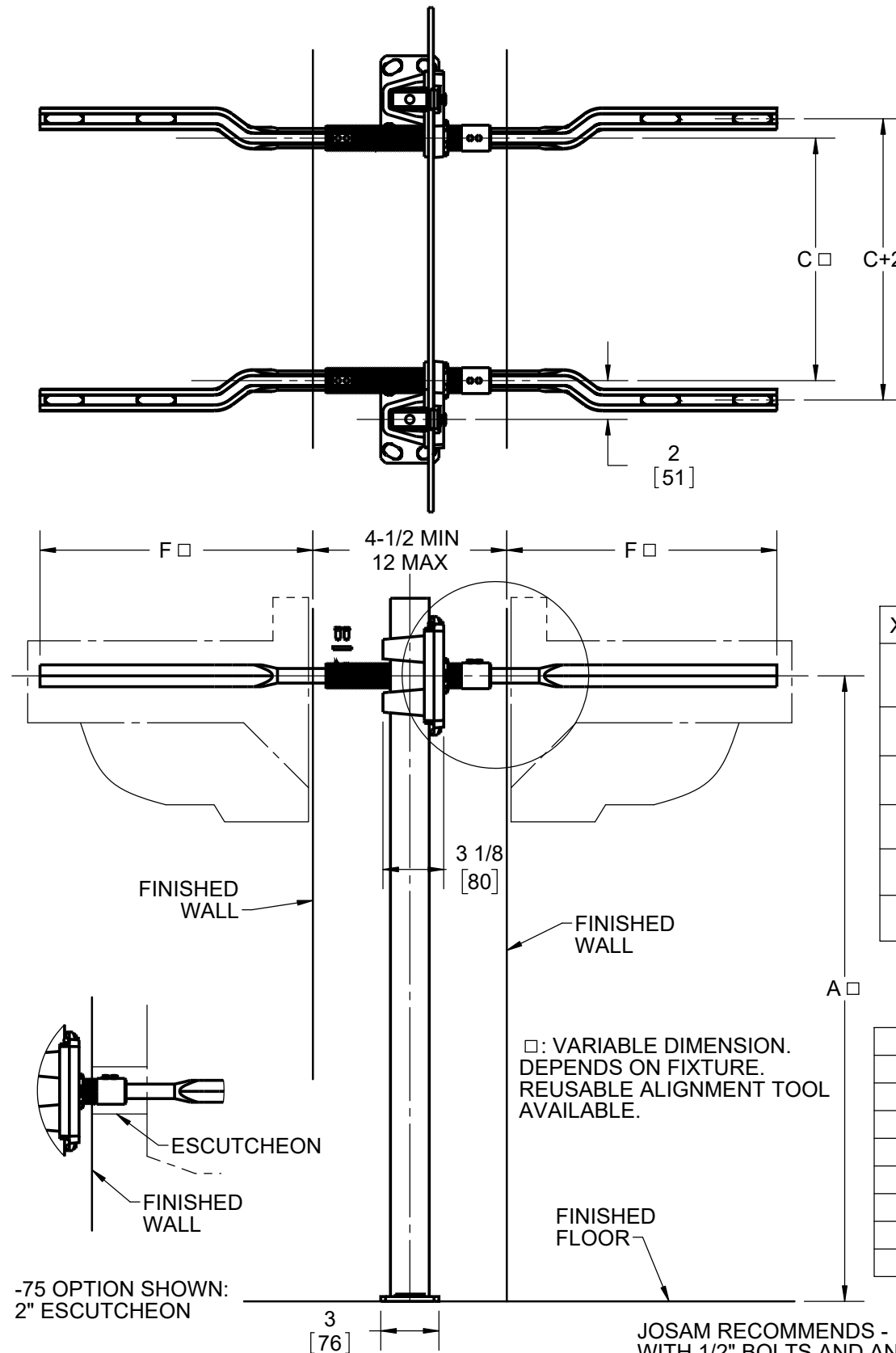
F _____

RIM HEIGHT _____

BASED ON "A" DIM SHOWN

X	-BB	BACK TO BACK CARRIER
	-10	EXTENSION SLEEVES LONGER THAN STANDARD (SPECIFY WALL THICKNESS)
	-60	VALVE PLATE FOR ATTACHING TO UPRIGHT
	-67	CONCEALED ARM CARRIER FOR WHEEL CHAIR LAVATORY
	-75	2" CHROME PLATED ESCUTCHEONS
	-76	4" CHROME PLATED ESCUTCHEONS
	-77	6" CHROME PLATED ESCUTCHEONS

	WALL THICKNESS	SUFFIX
	4-1/2 TO 5	S
	5-1/16 TO 6	T
	6-1/16 TO 7	U
	7-1/16 TO 8	V
	8-1/16 TO 9	W
	9-1/16 TO 10	X
	10-1/16 TO 11	Y
	11-1/16 TO 12	Z



JOSAM RECOMMENDS - FEET BE SECURED TO FLOOR WITH 1/2" BOLTS AND ANCHORS BY OTHERS

WARNING: Cancer and Reproductive Harm - www.P65Warnings.ca.gov

DATE OF LAST CHANGE: 05/24/18

DIMENSIONS ARE SUBJECT TO MANUFACTURERS TOLERANCES AND CHANGE WITHOUT NOTICE. WE CAN ASSUME NO RESPONSIBILITY FOR USE OF SUPERSEDED OR VOID DATA.

JOSAM

MICHIGAN CITY, INDIANA

NOTES