

**SPECIFICATION:**

JOSAM 17100 SERIES FLOOR-MOUNTED, SINGLE LAVATORY CARRIER WITH CONCEALED ARMS, LEVELING AND SECURING SCREWS, STRUCTURAL UPRIGHTS, AND WELDED FEET.

**LAVATORY CARRIER**

**FLOOR-MOUNT  
CONCEALED ARM**

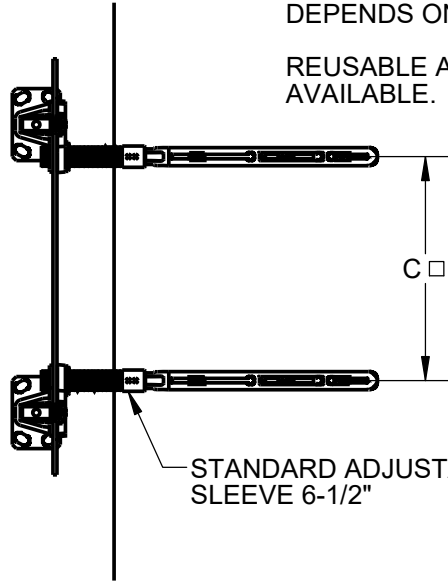
SERIES

**17100**

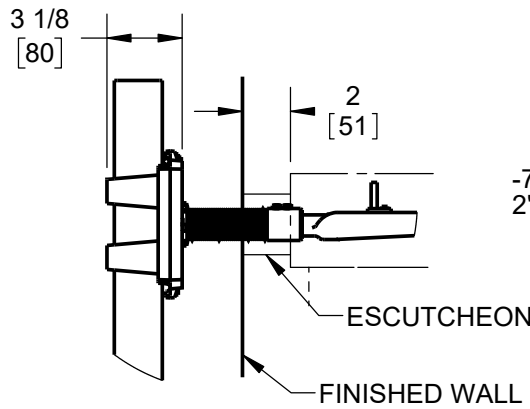
□: VARIABLE DIMENSION.  
DEPENDS ON FIXTURE.

REUSABLE ALIGNMENT TOOL  
AVAILABLE.

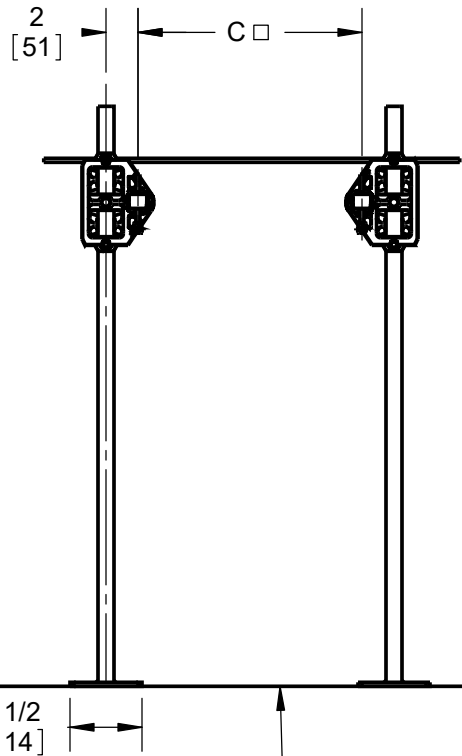
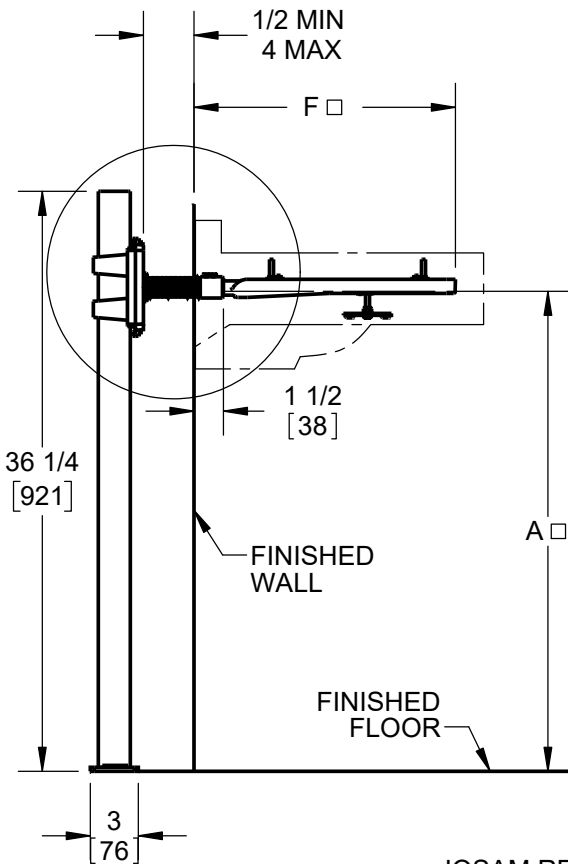
-BB	BACK-TO-BACK CARRIER (SEPARATE SUBMITTAL FOR THIS OPTION AVAILABLE)
-10	EXTENSION SLEEVES LONGER THAN STANDARD (SPECIFY WALL THICKNESS)
-60	VALVE PLATE FOR ATTACHING TO UPRIGHT
-67	CONCEALED ARM CARRIER FOR WHEELCHAIR LAVATORY
-75	2" CHROME PLATED ESCUTCHEONS
-76	4" CHROME PLATED ESCUTCHEONS
-77	6" CHROME PLATED ESCUTCHEONS



STANDARD ADJUSTABLE  
SLEEVE 6-1/2"



-75 OPTION SHOWN:  
2" ESCUTCHEON



MANUFACTURER

NUMBER

SIZE

NAME

DIMENSIONS

A \_\_\_\_\_

C \_\_\_\_\_

F \_\_\_\_\_

RIM HEIGHT  
BASED ON "A" DIM SHOWN

JOSAM RECOMMENDS THAT ALL FEET  
BE SECURED TO FLOOR WITH 1/2"  
BOLTS AND ANCHORS BY OTHERS

REFERENCE DRAWING A-08201-K

WARNING: Cancer and Reproductive Harm - www.P65Warnings.ca.gov

DATE OF LAST CHANGE: 05/29/18

DIMENSIONS ARE SUBJECT TO MANUFACTURERS  
TOLERANCES AND CHANGE WITHOUT NOTICE.  
WE CAN ASSUME NO RESPONSIBILITY FOR  
USE OF SUPERSEDED OR VOID DATA.

**JOSAM**

MICHIGAN CITY, INDIANA

NOTES