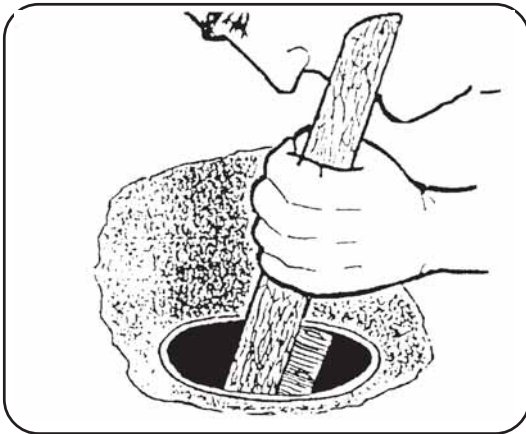


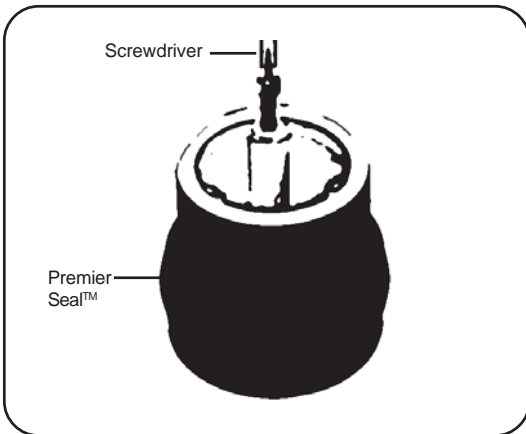


Installation Instructions



STEP 1

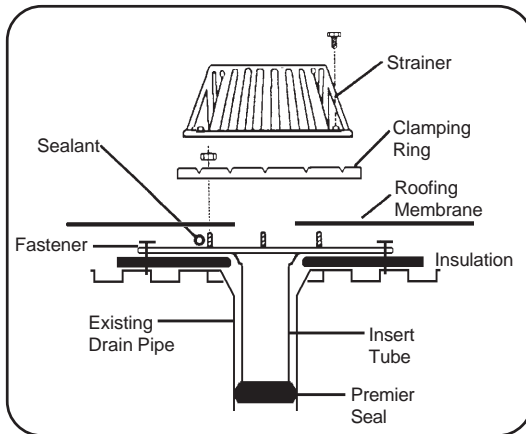
Inspect existing drain pipe to ensure there are no cracks or signs of potential failure. Using a wire brush, clean existing drain line to remove any asphalt, loose debris and other foreign material.



STEP 2

Ensure drain sleeve is the proper size before continuing. Place the Premier Seal™ into the tube and tighten each screw 5 rotations before place the drain into the existing drain pipe. Insert the leading edge of the rubber seal into the existing drain pipe and simply rotate the ReRoof Drain in a clockwise motion while pushing the ReRoof Drain down to seat the flange into the membrane manufacturer's recommended adhesive. The flat flange allows a flush mount. Secure the ReRoof Drain to the deck by installing insulation fasteners through the prepunched flange holes. Tighten each screw of the seal five to ten rotations then rotate to the next screw. Screws need to be tightened evenly to allow for even expansion of the seal into the existing piping.

NOTE: The ReRoof Drain insert tube can be shortened in the field by cutting the tube after removing the rubber seal. Cut the end of the tube square and remove any burrs or rough edges. Replace the Premier Seal™ onto the end of the tube.



STEP 3

Prior to installing dome strainer and clamping ring, per Roofing Manufacturers recommendations, apply sealant on the drain flange. Bring roof membrane onto drain flange. Membrane should extend past drain clamping ring to insure membrane from slipping out. Install clamping ring and tighten so the sealant and membrane compress and form a watertight gasket. Do not tighten bolt greater than 100 torque inch pounds.

With all good roofing practice, all drains should be water tested to ensure existing drain system is free to facilitate water flow. Extended insert tubes are available for excessive insulation buildup.